

Service
Service
Service



Service Manual



TABLE OF CONTENTS

Service Aids1-1
 Info. about lead-free soldering.....1-1
 Service Instruction1-1

CD Playability Check2-1..2-3
 Disassembly digram3-1..3-3

Software version check and upgrading4-1

Block diagram.....5-1

Wiring diagram6-1

Tuner Board
 circuit diagram7-1
 layout diagram7-2

VFD Board
 circuit diagram8-1
 layout diagram8-2

CPU Board
 circuit diagram9-1
 layout diagram9-2...9-3

AMP Board
 circuit diagram10-1
 layout diagram10-2..10-3

MPEG Board
 circuit diagram11-1..11-6
 layout diagram11-7

Power Board
 circuit diagram12-1..12-2
 layout diagram12-3

Exploded view diagram13-1

Service partslist14-1

Commercial partslist

© Copyright 2007 Philips Consumer Electronics B.V. Eindhoven, The Netherlands
 All rights reserved. No part of this publication may be reproduced, stored in a retrieval system or transmitted, in any form or by any means, electronic, mechanical, photocopying, or otherwise without the prior permission of Philips.



SERVICE AIDS

Service Tools:

Universal Torx driver holder	4822 395 91019
Torx bit T10 150mm	4822 395 50456
Torx driver set T6-T20	4822 395 50145
Torx driver T10 extended	4822 395 50423

Compact Disc:

SBC426/426A Test disc 5 + 5A	4822 397 30096
SBC442 Audio Burn-in test disc 1kHz	4822 397 30155
SBC429 Audio Signals disc	4822 397 30184
Dolby Pro-logic Test Disc	4822 395 10216



WARNING

All ICs and many other semi-conductors are susceptible to electrostatic discharges (ESD). Careless handling during repair can reduce life drastically.


When repairing, make sure that you are connected with the same potential as the mass of the set via a wrist wrap with resistance.

Keep components and tools also at this potential.

ESD



Safety regulations require that the set be restored to its original condition and that parts which are identical with those specified, be used

Safety components are marked by the symbol .

**CLASS 1
LASER PRODUCT**

INFORMATION ABOUT LEAD-FREE SOLDERING

Philips CE is producing lead-free sets from 1.1.2005 onwards.

IDENTIFICATION:

Regardless of special logo (not always indicated) one must treat all sets from 1 Jan 2005 onwards, according next rules:



- On our website www.atyourservice.ce.Philips.com you find more information to:
 - * BGA-de-/soldering (+ baking instructions)
 - * Heating-profiles of BGAs and other ICs used in Philips-sets
 - * Lead free

You will find this and more technical information within the "magazine", chapter "workshop news".

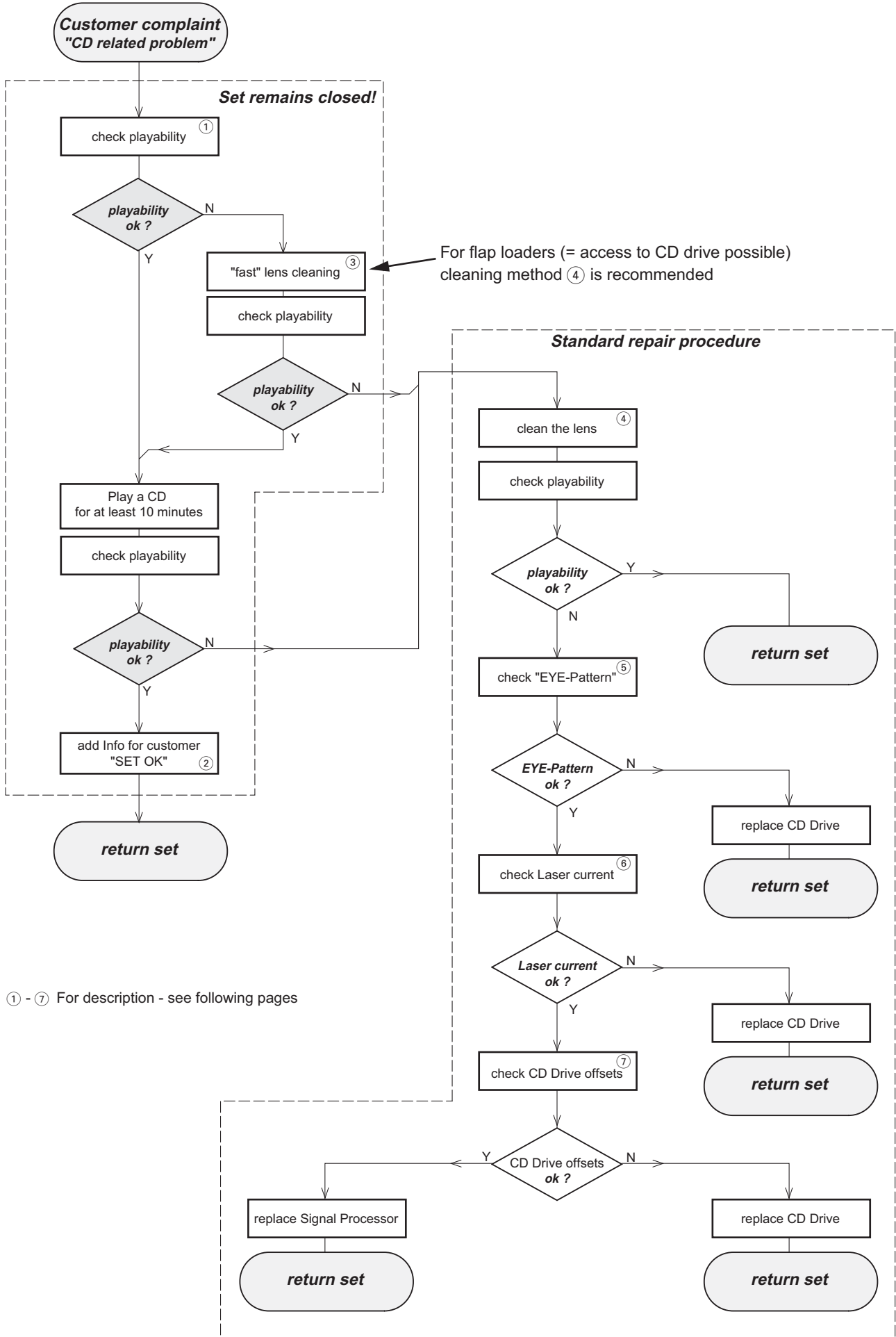
For additional questions please contact your local repair-helpdesk.

SERVICE INSTRUCTION

Safety regulations require that after a repair, the set must be returned in its original condition. Pay in particular attention to the following points:

- Route the wire trees correctly and fix them with the mounted cable clamps.
- Check the insulation of the AC Power lead for external damage.
- Check the strain relief of the AC Power cord for proper function.
- Check the electrical DC resistance between the AC Power Plug and the secondary side (only for sets which have a AC Power isolated power supply):
 1. Unplug the AC Power cord and connect a wire between the two pins of the AC Power plug.
 2. Set the AC Power switch to the "on" position (keep the AC Power cord unplugged!).
 3. Measure the resistance value between the pins of the AC Power plug and the metal shielding of the tuner or the aerial connection on the set. The reading should be larger than 4.5 Mohm (For U.S. it should be between 4.2 Mohm and 12 Mohm).
 4. Switch "off" the set, and remove the wire between the two pins of the AC Power plug.
- Check the cabinet for defects, to avoid touching of any inner parts by the customer.

CD PLAYABILITY CHECK



CD PLAYABILITY CHECK

①

PLAYABILITY CHECK

For sets which are compatible with **CD-RW** discs
 use CD-RW Printed Audio Disc.....7104 099 96611
 TR 3 (Fingerprint)
 TR 8 (600µ Black dot) **maximum at 01:00**

- playback of these two tracks without audible disturbance
 playing time for: Fingerprint ≥ 10 seconds
 Black dot from 00:50 to 01:10
- jump forward/backward (search) within a reasonable time

For all other sets
 use CD-DA SBC 444A.....4822 397 30245
 TR 14 (600µ Black dot) **maximum at 01:15**
 TR 19 (Fingerprint)
 TR 10 (1000µ wedge)

- playback of all these tracks without audible disturbance
 playing time for: 1000µ wedge ≥ 10 seconds
 Fingerprint ≥ 10 seconds
 Black dot from 01:05 to 01:25
- jump forward/backward (search) within a reasonable time

②

CUSTOMER INFORMATION

It is proposed to add an addendum sheet to the set which informs the customer that the set has been checked carefully - but no fault was found.

The problem was obviously caused by a scratched, dirty or copy-protected CD. In case problems remain, the customer is requested to contact the workshop directly.

The lens cleaning (method ③) should be mentioned in the addendum sheet.

The final wording in national language as well as the printing is under responsibility of the Regional Service Organizations.

③

FAST LENS CLEANING (dry brush)

Use lens cleaning CD
 SBC AC300.....9082 100 00043

Insert the lens cleaning CD, press PLAY and follow the voice guide's instructions on the CD.

④

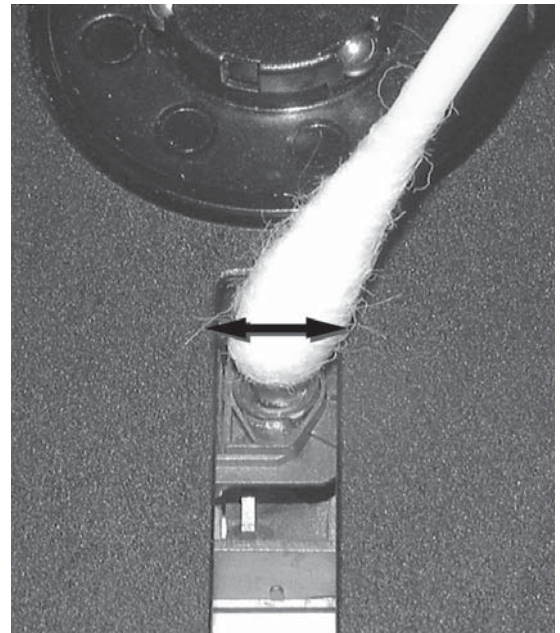
LIQUID LENS CLEANING

Before touching the lens it is advised to clean the surface of the lens by blowing clean air over it. This to avoid that little particles make scratches on the lens.

Because the material of the lens is synthetic and coated with a special anti-reflectivity layer, cleaning must be done with a non-aggressive cleaning fluid. It is advised to use "Cleaning Solvent B4-No2", available with codenumber 4822 389 10026.

The actuator is a very precise mechanical component and may not be damaged in order to guarantee its full function. Clean the lens gently (don't press too hard) with a soft and clean cotton bud moistened with the special lens cleaner.

The direction of cleaning must be in the way as indicated in the picture below.

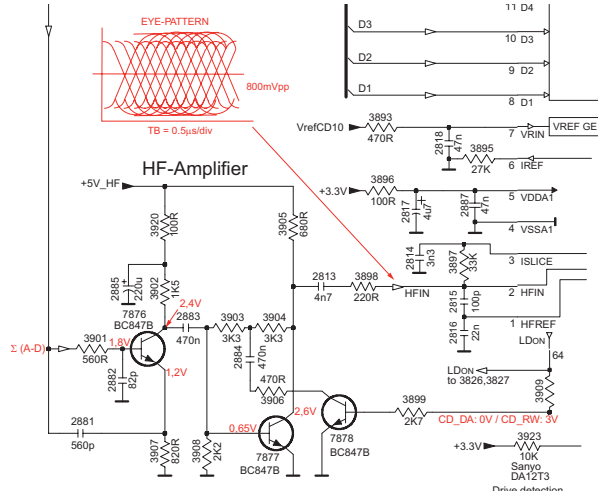


CD PLAYABILITY CHECK

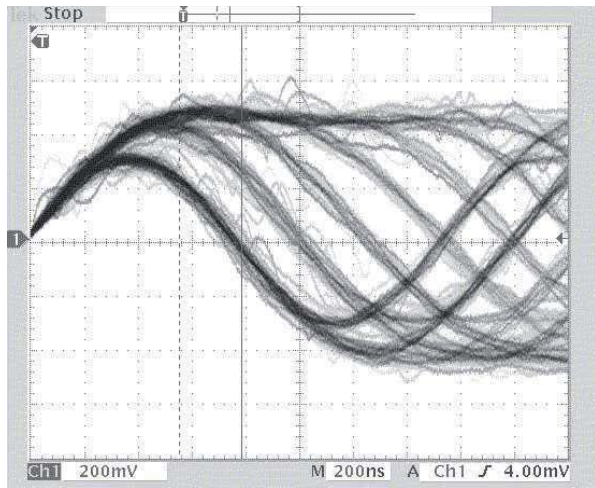
⑤

EYE-PATTERN SIGNAL – JITTER MEASUREMENT

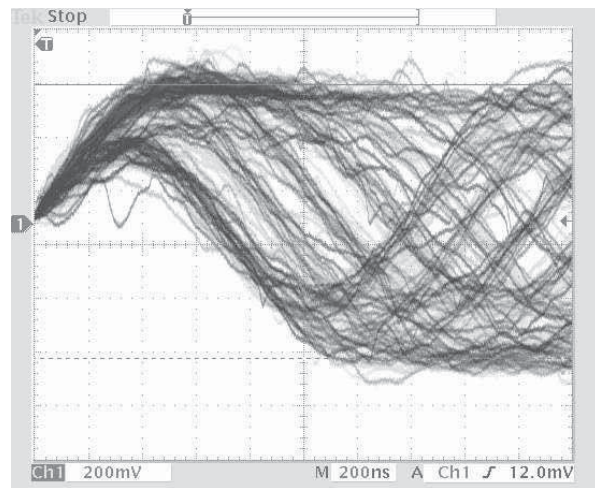
Measure the signal on the input of the Signal processor using an **analog** oscilloscope. Please find the exact measuring point in your Service Manual.



See below examples of the signal. Amplitude should read at least 700mVpp using SBC444A.



good



bad

If the oscilloscope shows a signal like the 'bad' one, and/or the amplitude decreases within 1 minute - the CD drive has to be replaced.

⑥

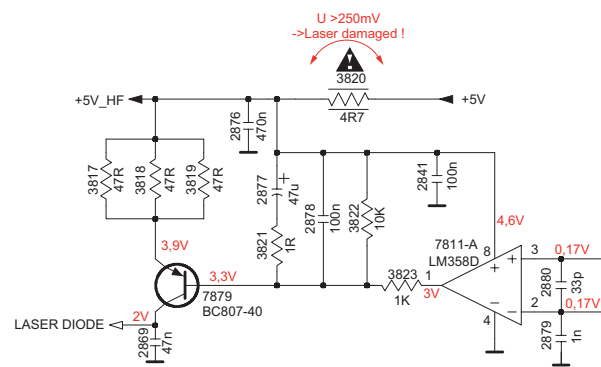
CD DRIVE – LASER CURRENT MEASUREMENT

The laser current can be measured as a voltage drop on a resistor. The resistor is marked in every Service Manual. The value depends on the type of CD drive.

	typical value	most probably defect
VAMxxxx	: 150-230mV	≥350mV
MCDxx	: 170-230mV	≥300mV
DA1x	: 210-250mV	≥350mV
DA2x	: 175-200mV	≥250mV

Use SBC444A (CD-DA) for measurement.

Laser power control



⑦

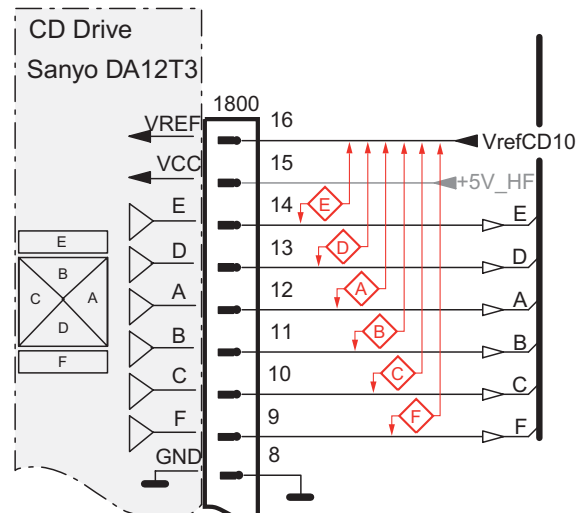
CD DRIVE – OFFSET MEASUREMENT

The photodiodes of the CD-drive may have an offset. These offsets have to be compensated by the signal processor. High offsets can lead to poor playability of some CDs (skipping tracks).

To measure the offset values, start the **Service Test Program** - section "Focus Test" without a CD.

The offsets can be measured with a DC Millivoltmeter directly on the connector (see drawing below). Pin numbering varies from drive to drive.

The values from diode A-D should read $0 \pm 10mV$. Diodes E and F are less critical.

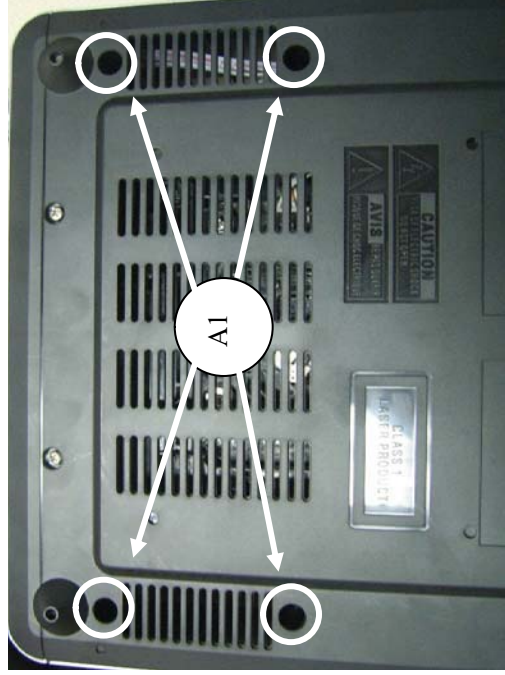


If one of the offsets is higher than $\pm 10mV$ the CD drive has to be replaced. Otherwise replace the Signal Processor.

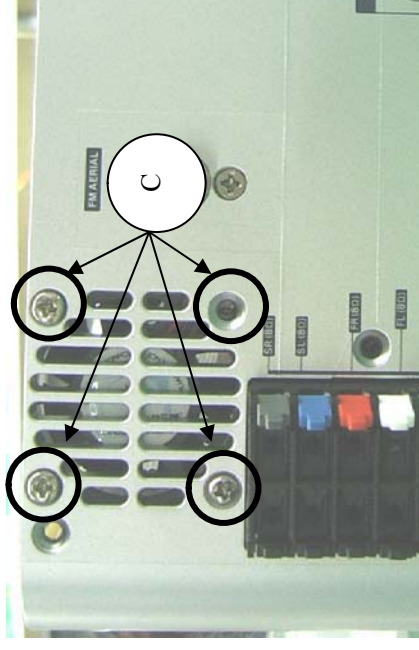
Disassembly diagram

A. Remove bottom cover

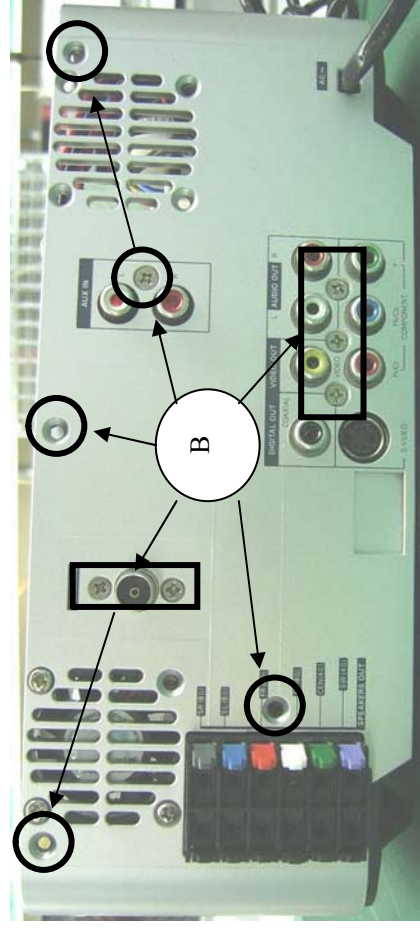
A1. Loosen screws 3 × 12PA (4PCS)



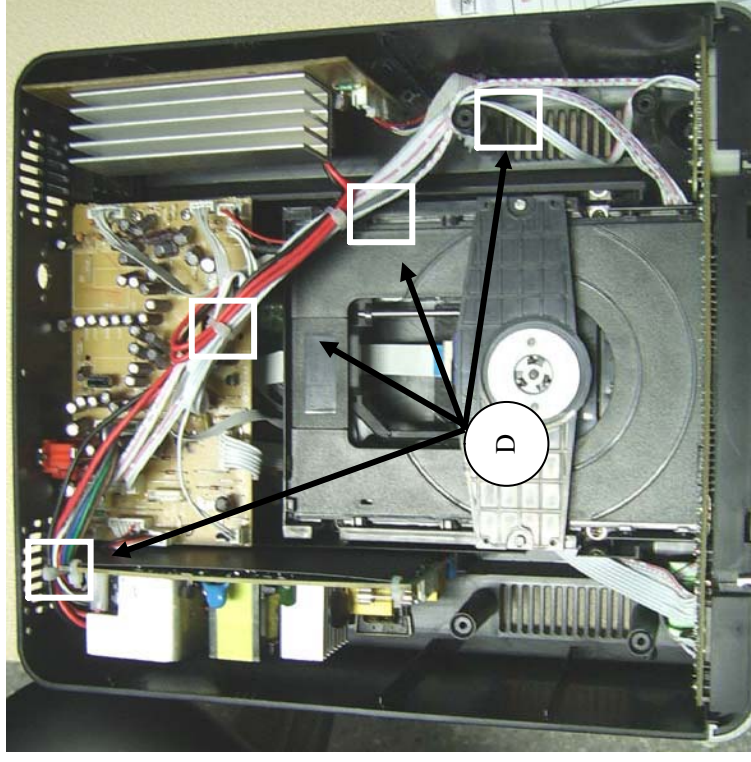
C. Loosen screws 3 × 15FM(4PCS), and then remove the fan



B. Loosen screws 3 × 10FA(10PCS), and then remove top cover and rear shuck

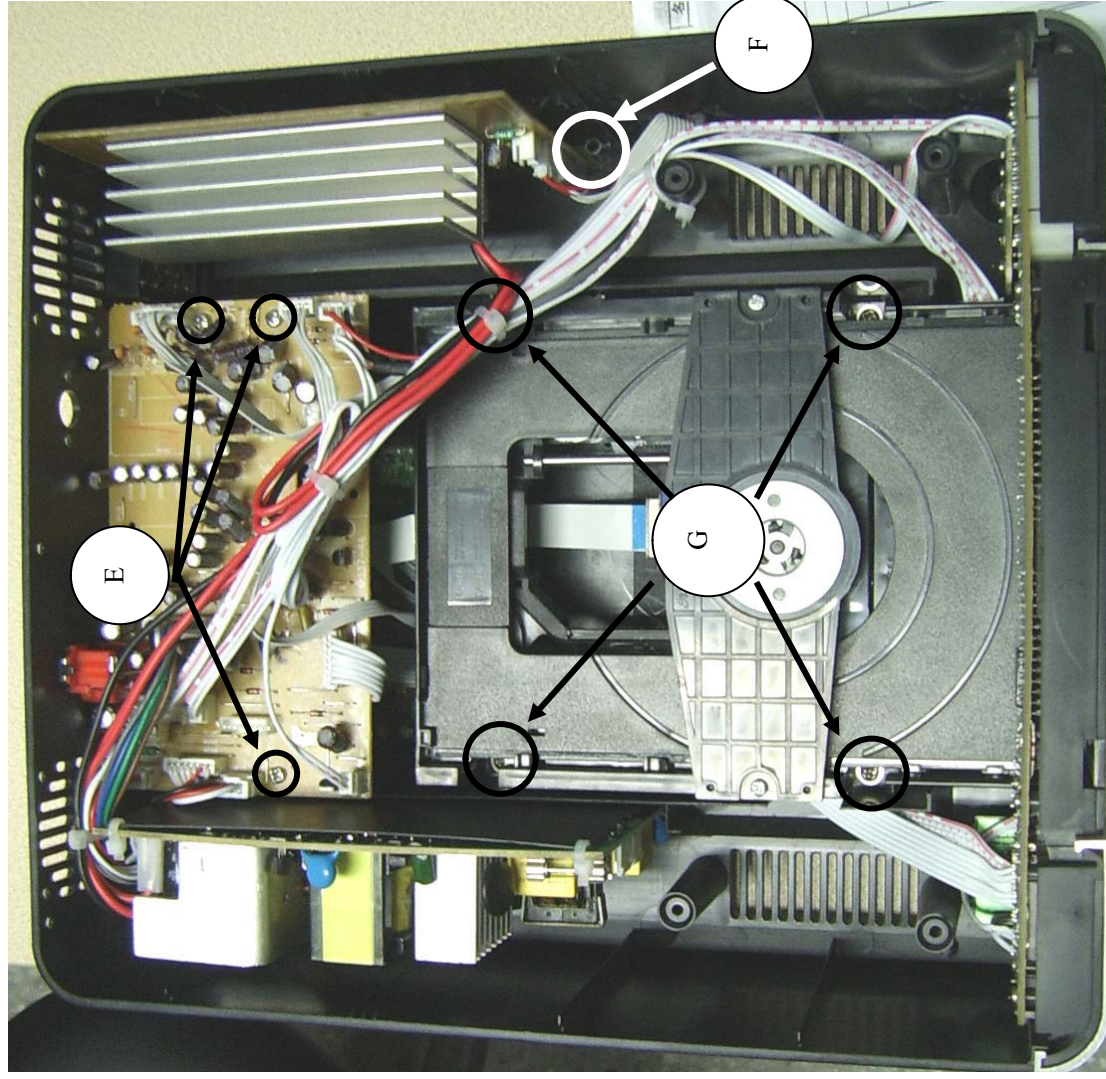


D. Cut off 4PCS wire tie

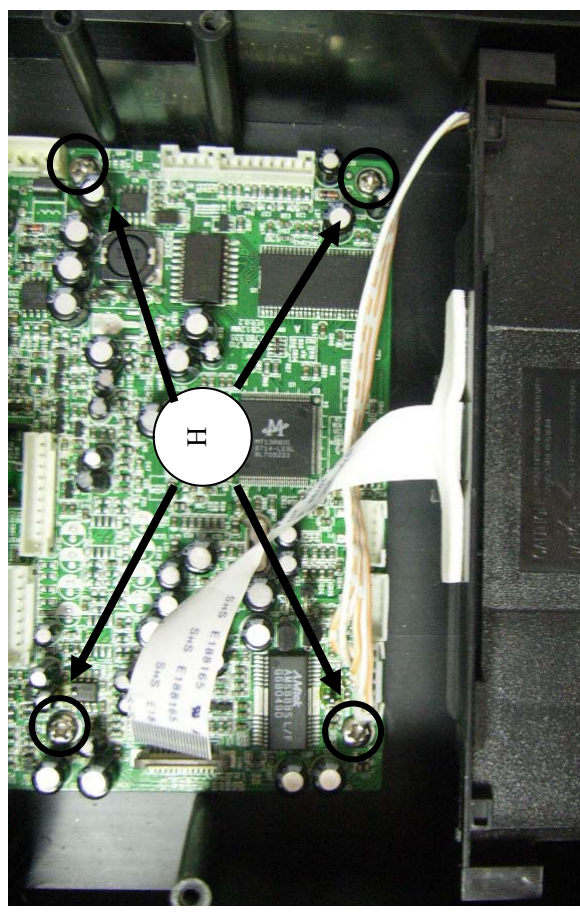


Disassembly diagram

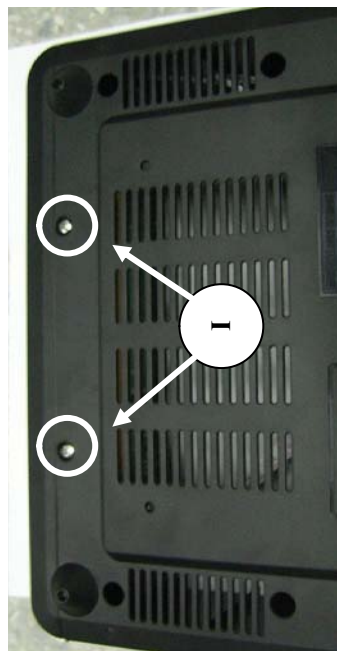
- E. Loosen screws 3 × 6PT(3PCS), remove CPU board
- F. Loosen screws 3 × 8BA(1PC), remove AMP board
- G. Loosen screws 3 × 10PWA(4PCS), remove mechanism core



- H. Loosen screws 3 × 6PT(4PCS), remove decode card

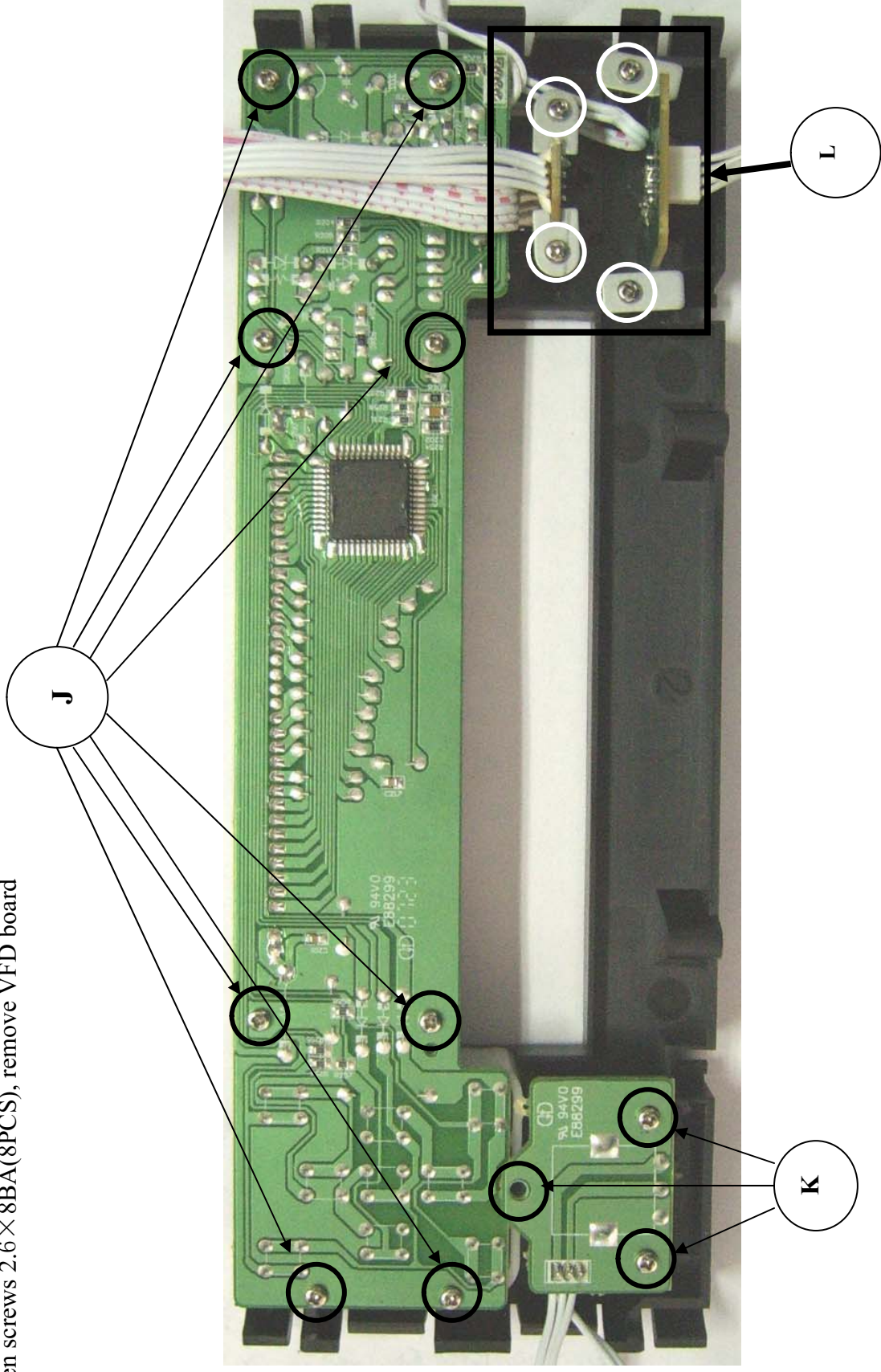


- I. Loosen screws 3 × 10BA(2PCS), remove bezel panel



Disassembly diagram

J. Loosen screws 2.6×8BA(8PCS), remove VFD board



K. Loosen screws 2.6×8BA(3PCS), remove volume card

L. Loosen screws 2.6×8BA(4PCS), remove USB, earphone socket

SOFTWARE VERSION CHECK AND UPGRADING

A. MPEG SOFTWARE VERSION CHECK

1. Press SYSTEM key (on the remote control) to open setup page.

TV Screen shows:

TV Display
Osd Lang
Screen Saver
DIVX(R) VOX

2. Press REMOVAL key (on the remote control) to the original setup page,

TV Screen shows:

TV Type
Audio
Subtitle
Disc Menu
Parental
Default

3. Enter the password "811502" (on the remote control)

TV Screen shows:

Ver	MCD715/xxxx
Date	mm dd yyyy
Time	hh:mm:ss
Region code	x

4. Press ▲ or ▼ button (on the remote control) to change region. Press OK to confirm.

B. CPU VERSION CHECK

Keep PLAY/PAUSE and STOP buttons (on the set) depressed while pressing POWER on.

TV screen shows

MCD715V xx

C. MPEG SOFTWARE UPGRADING

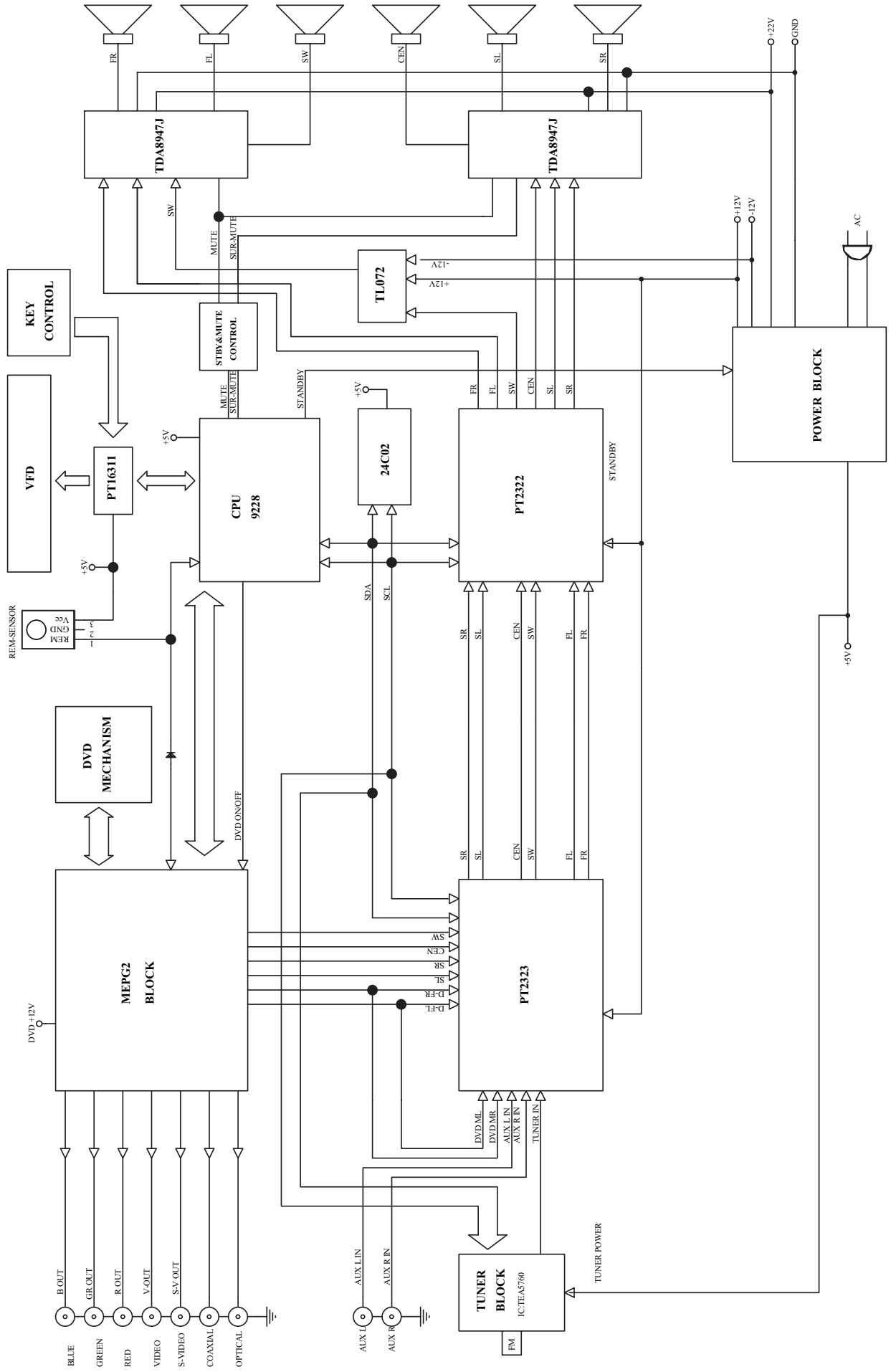
1. download the firmware from Philips support website <http://www.philips.com/support>
2. Prepare a uploading CD
3. Put the CD in the CD tray
4. TV Screen shows

Upgade file deteced
Upgade?
Press PLAY to start
upgrading

SET BLOCK DIAGRAM

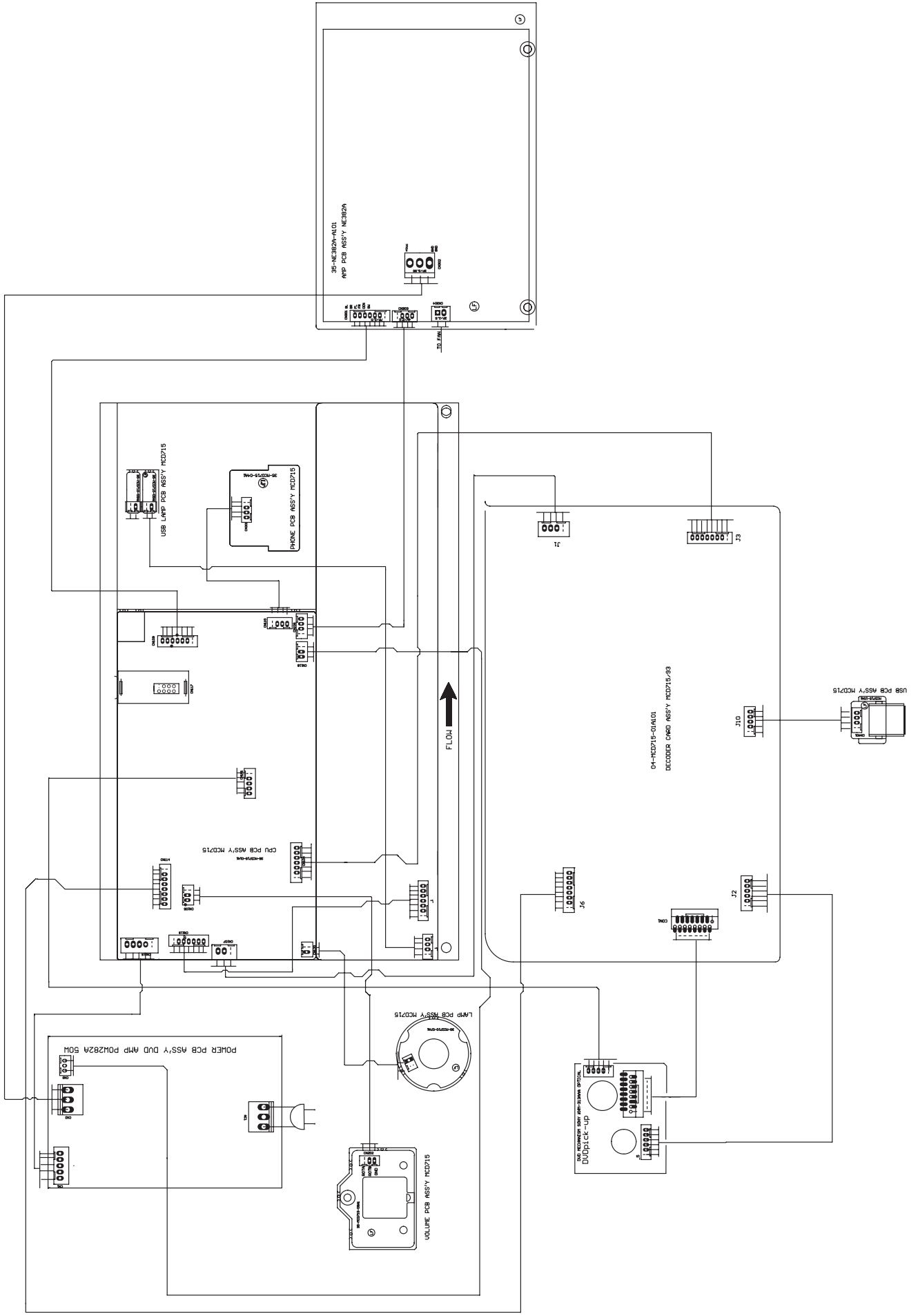
5 - 1

5 - 1



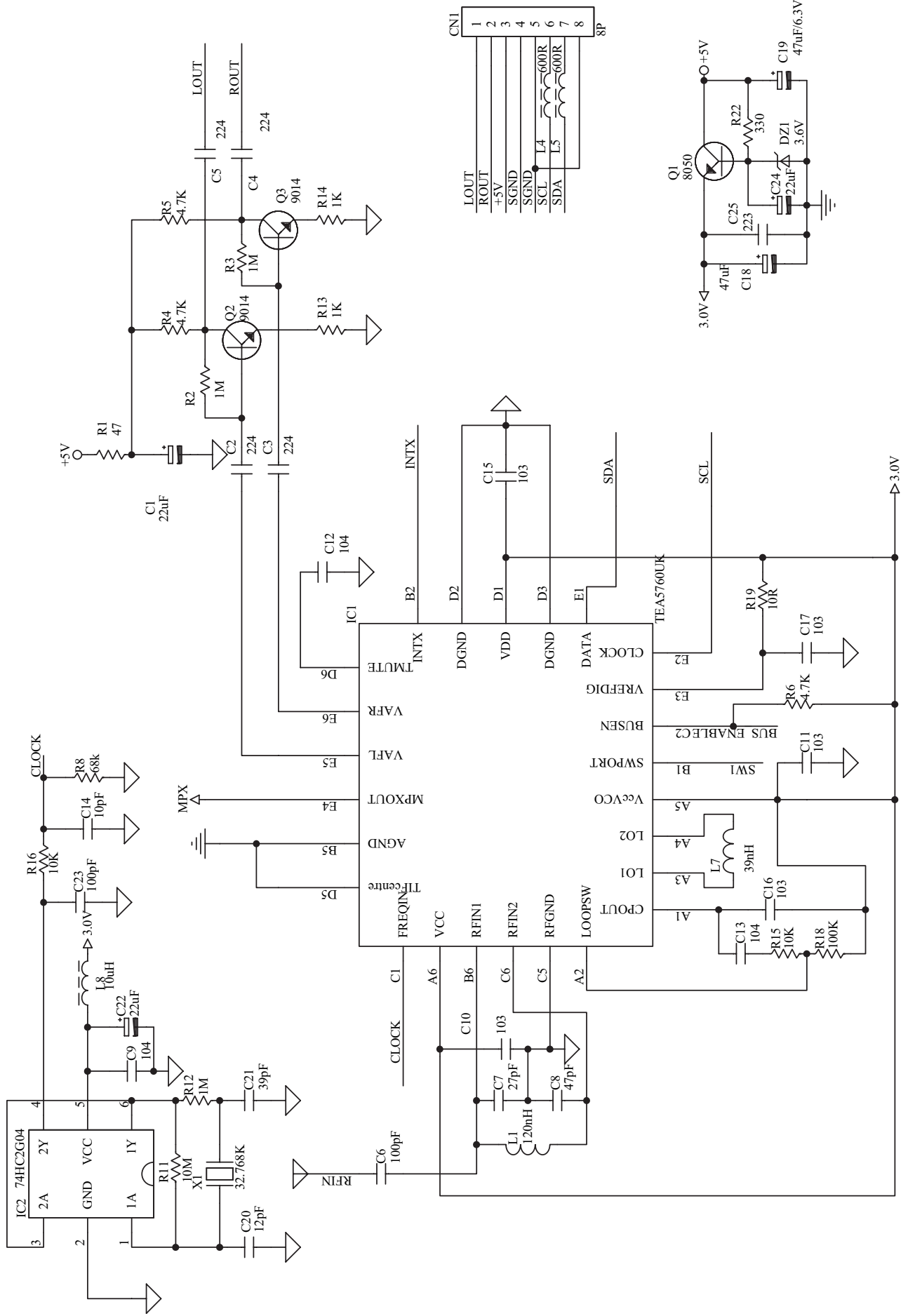
SET WIRING DIAGRAM

6 - 1

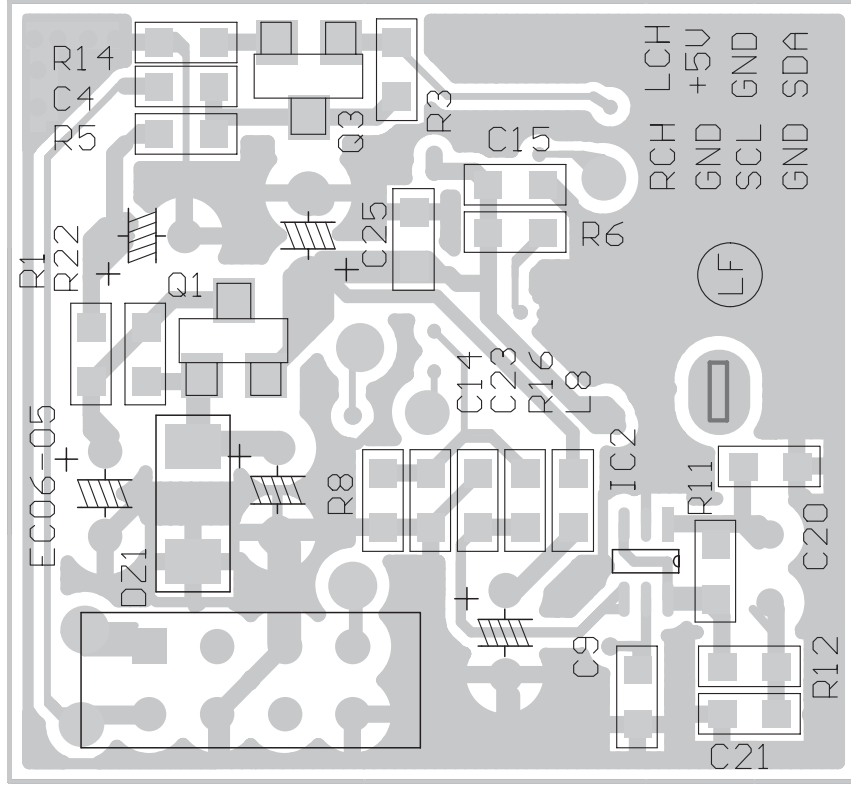
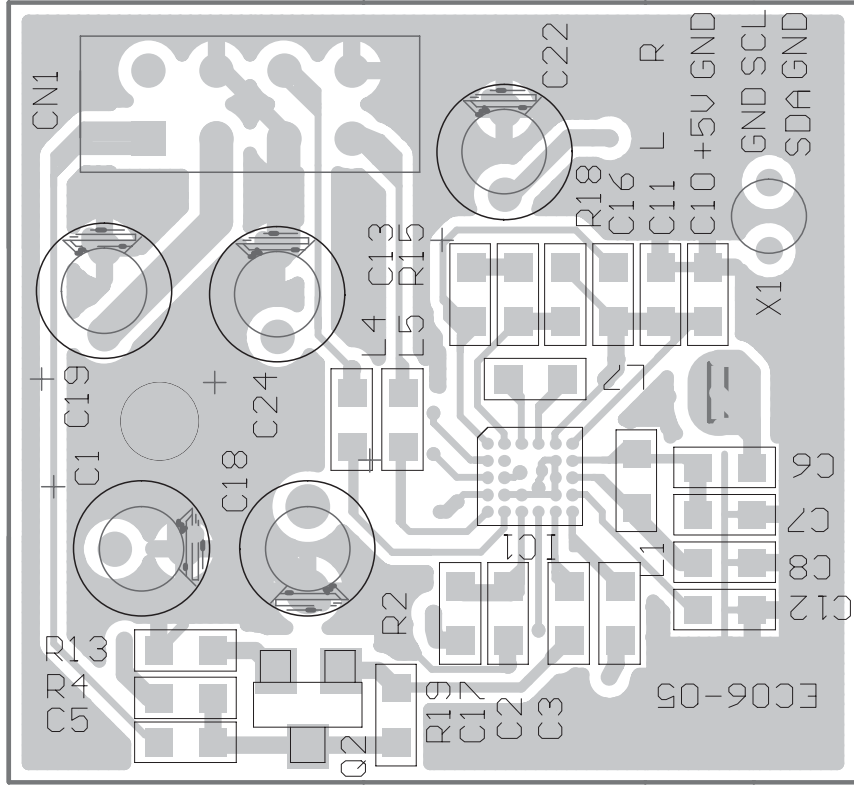


6 - 1

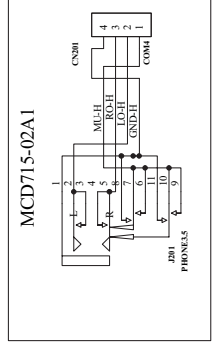
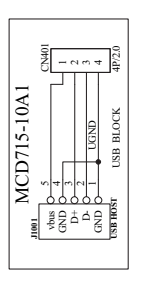
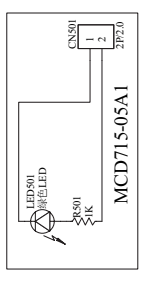
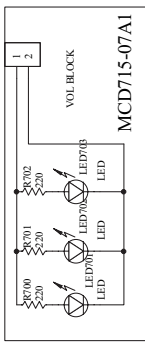
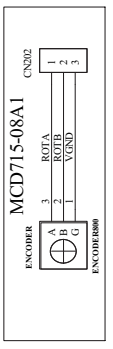
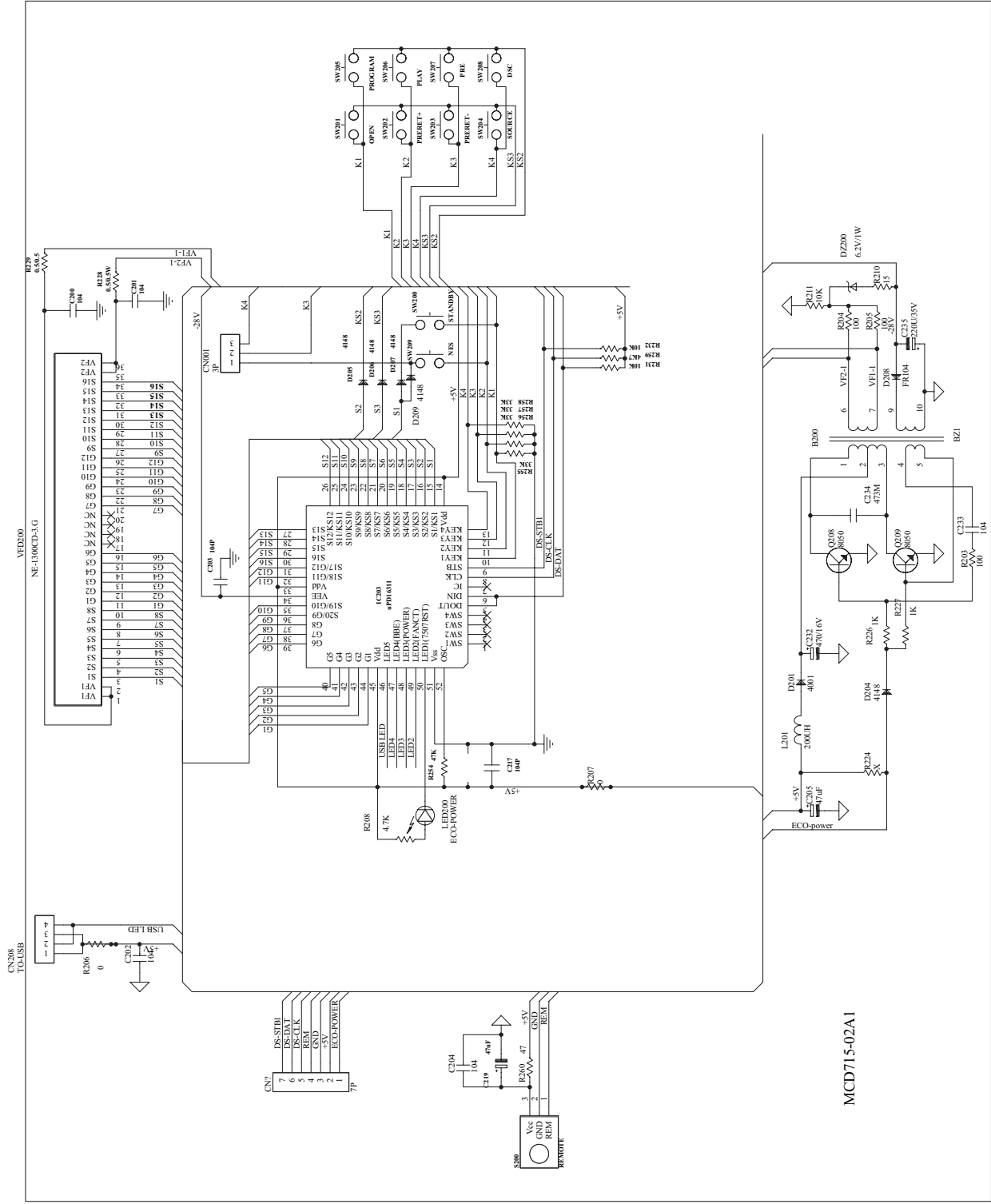
CIRCUIT DIAGRAM - TUNER BOARD



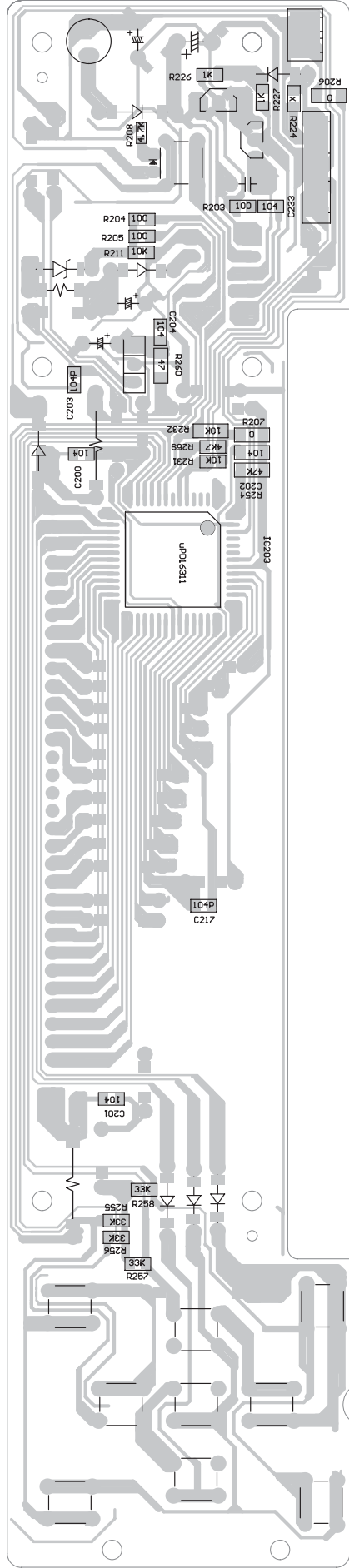
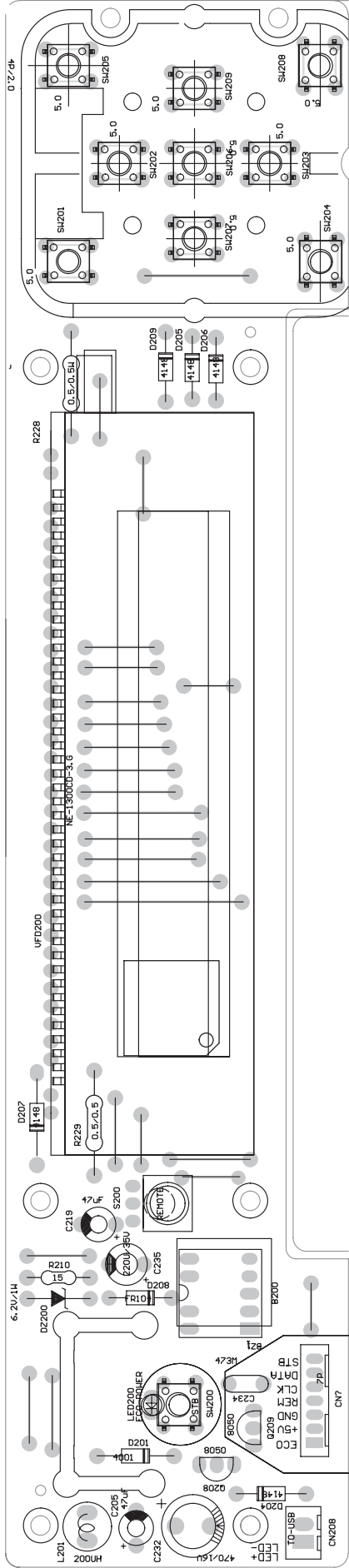
LAYOUT DIAGRAM - TUNER BOARD



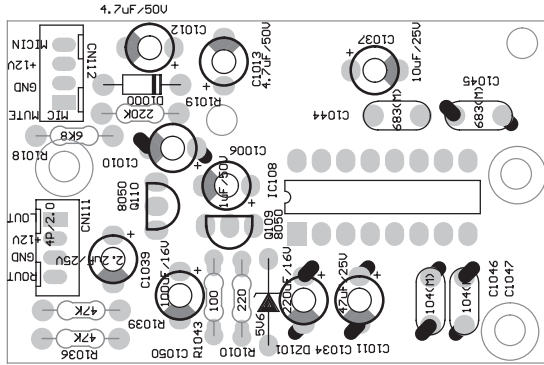
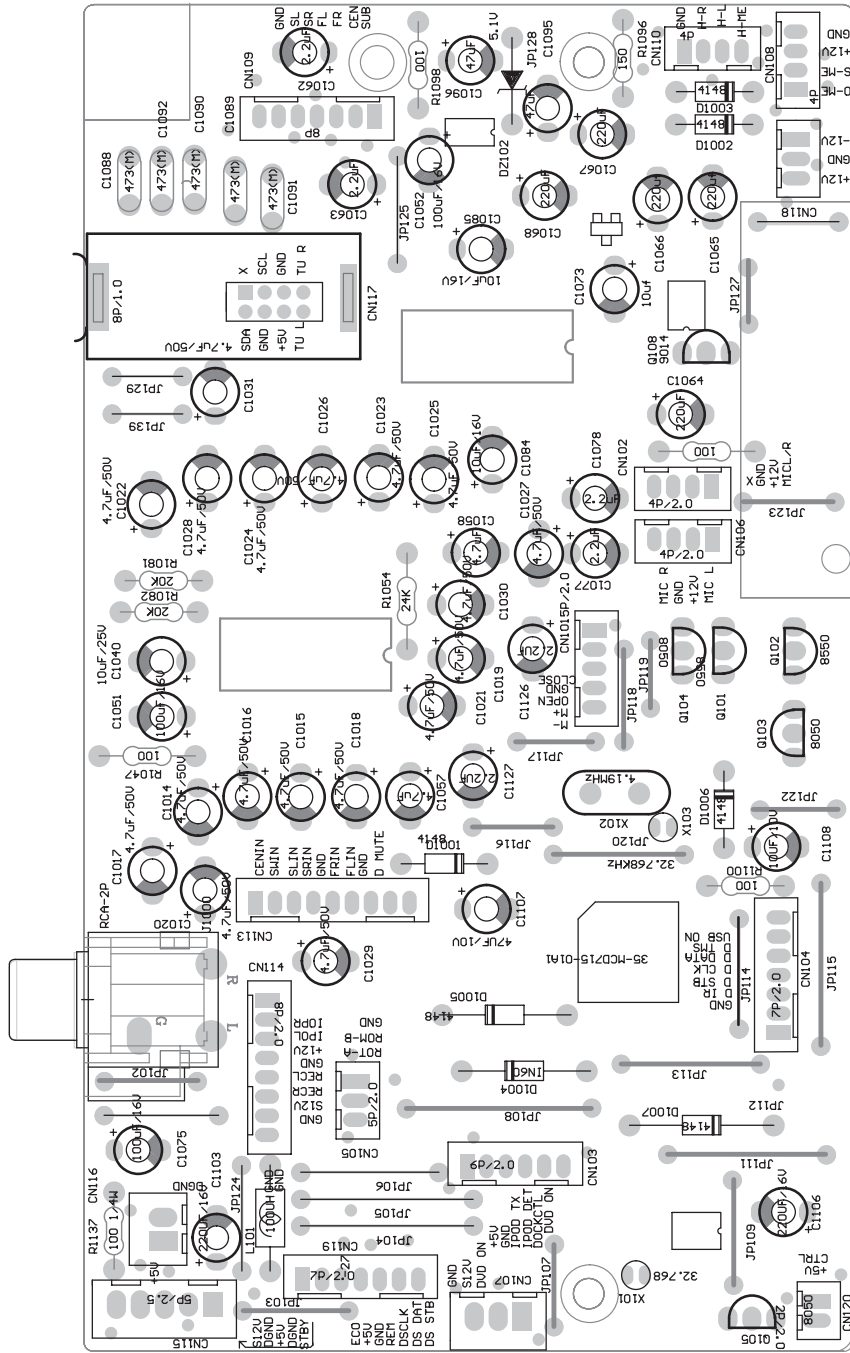
CIRCUIT DIAGRAM - VFD BOARD



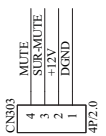
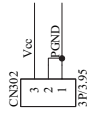
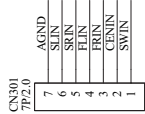
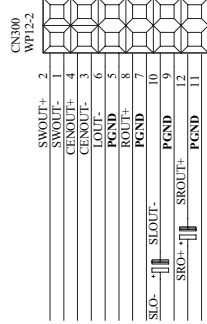
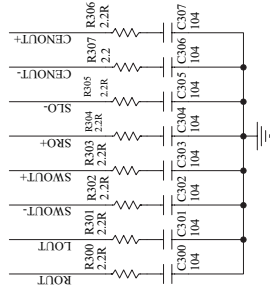
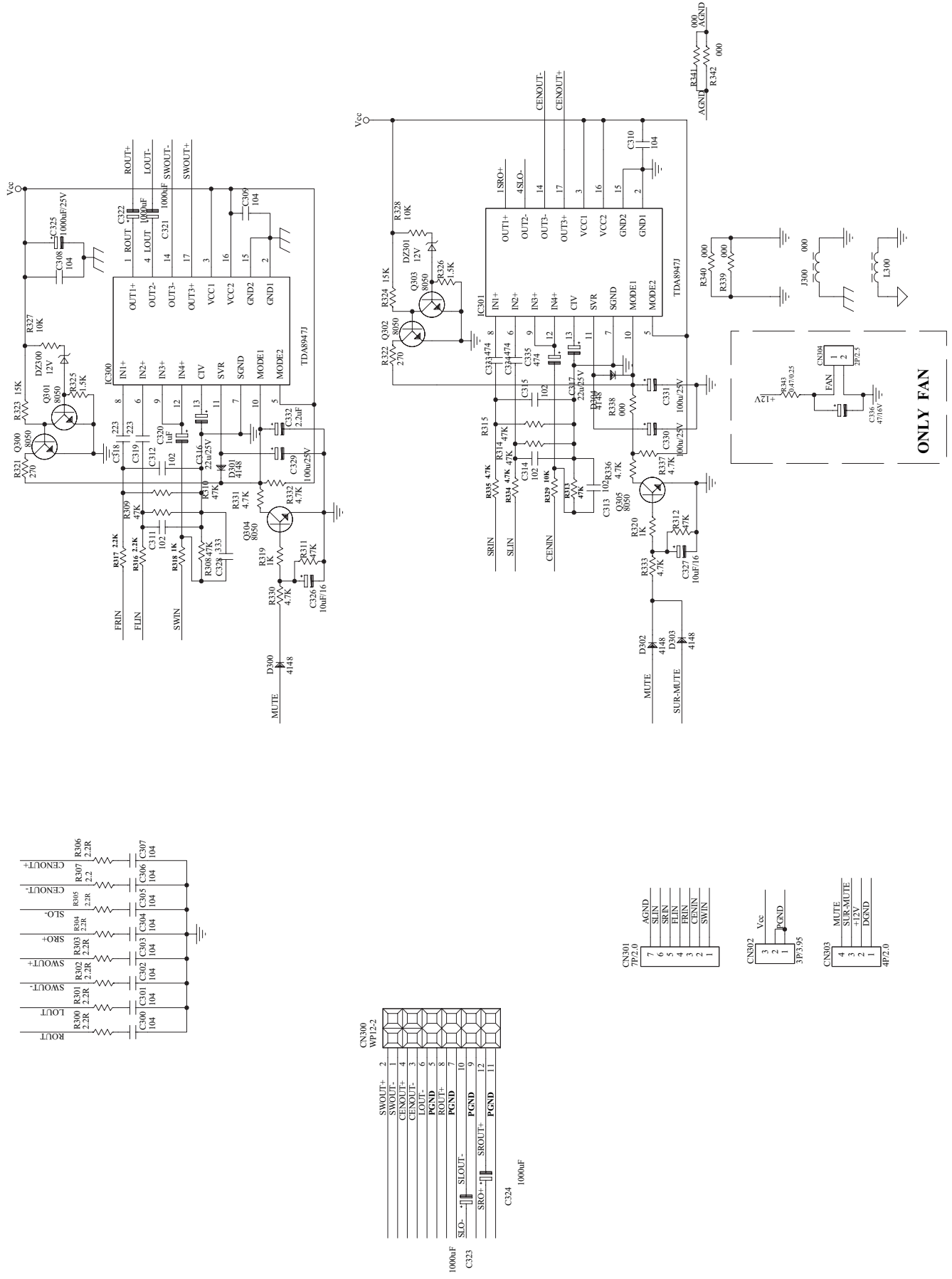
LAYOUT DIAGRAM - VFD BOARD



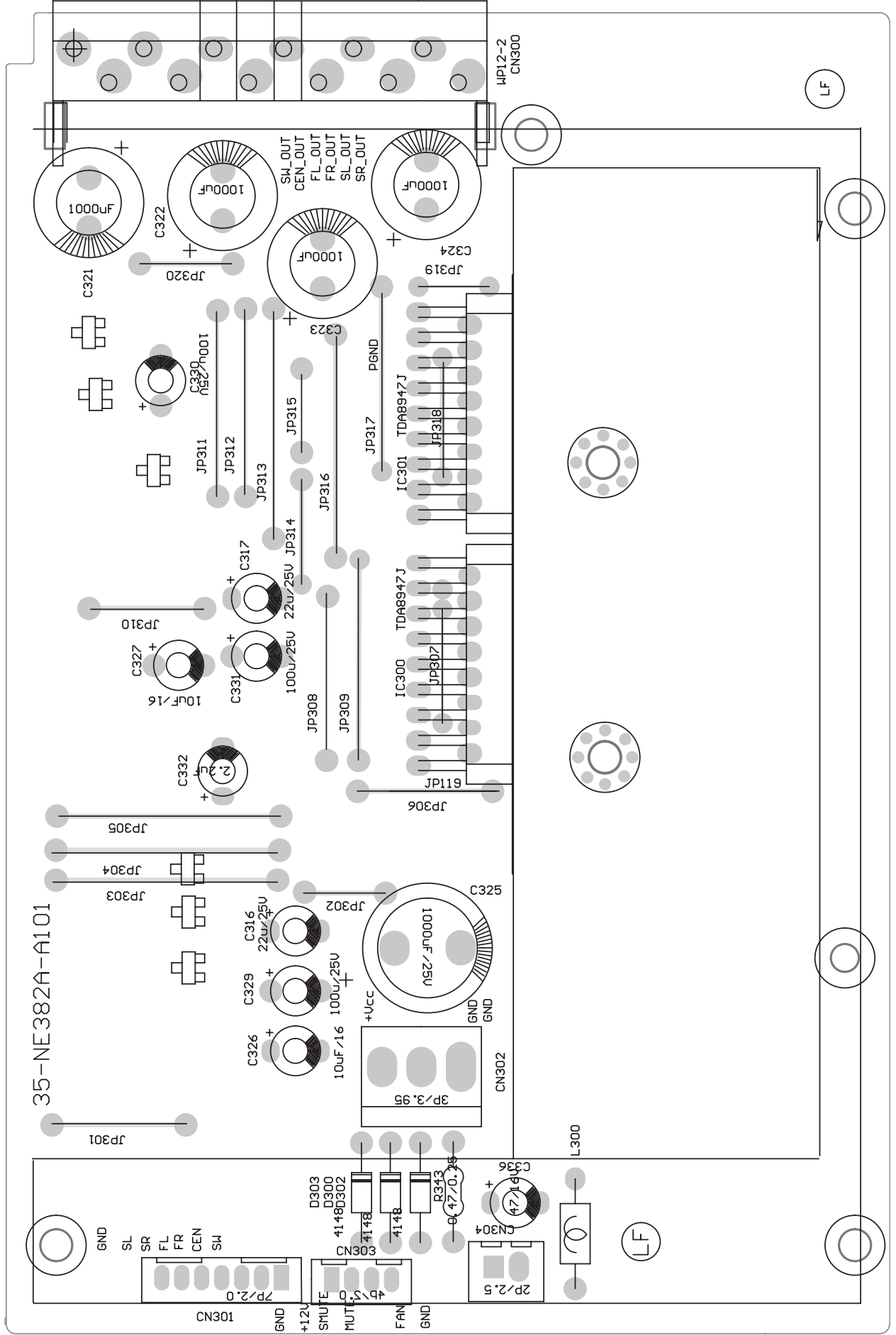
LAYOUT DIAGRAM - CPU BOARD



CIRCUIT DIAGRAM - AMP BOARD



LAYOUT DIAGRAM - AMP BOARD



35-NE382A-A101

LF

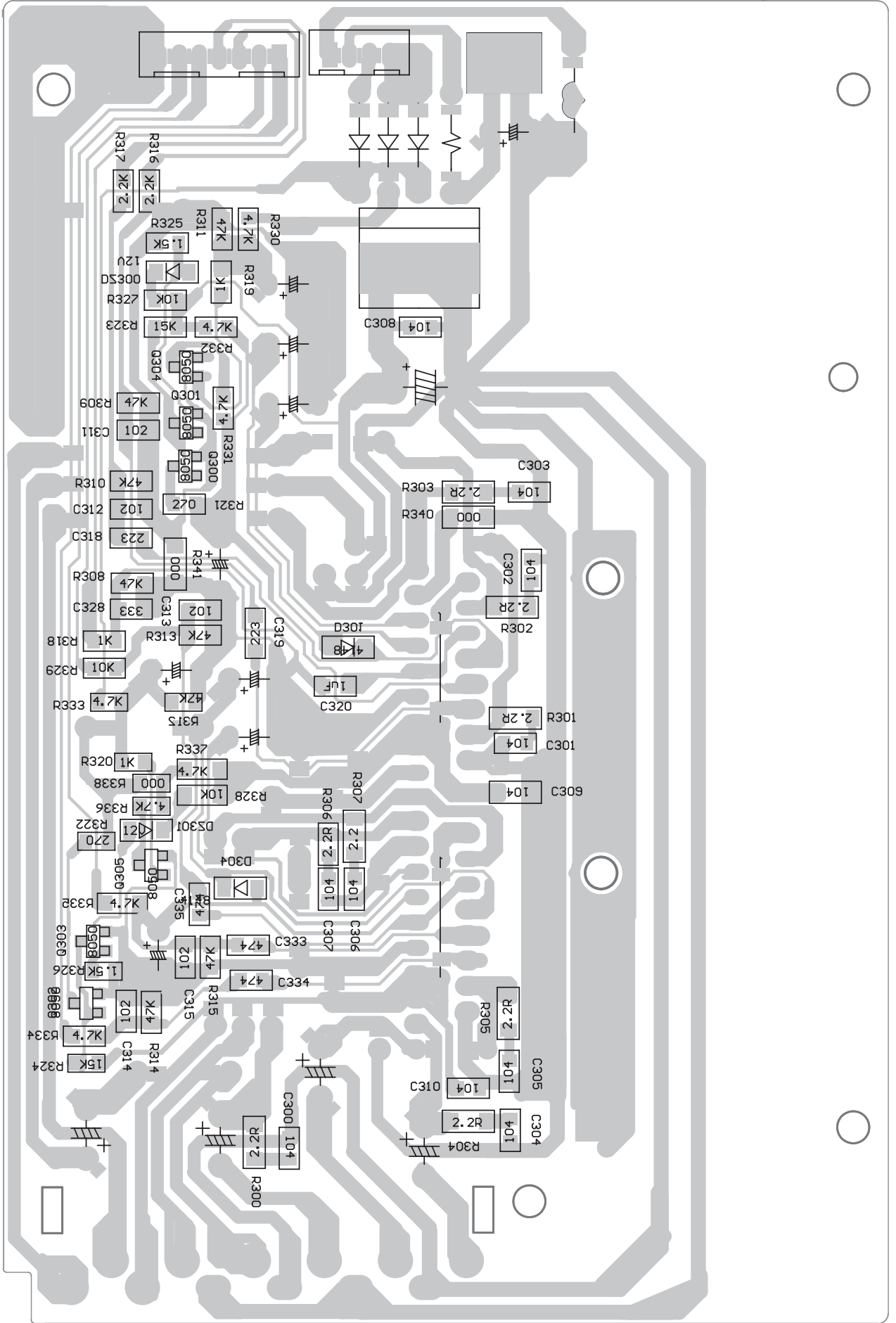
LF

LF

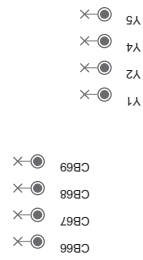
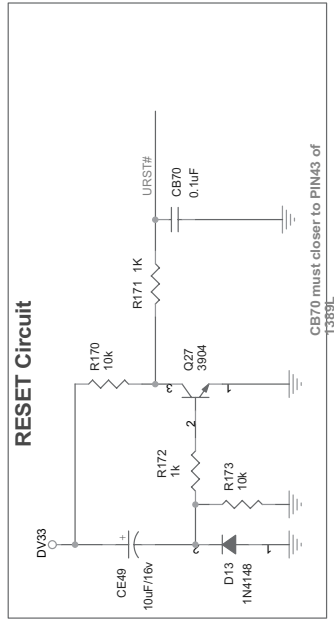
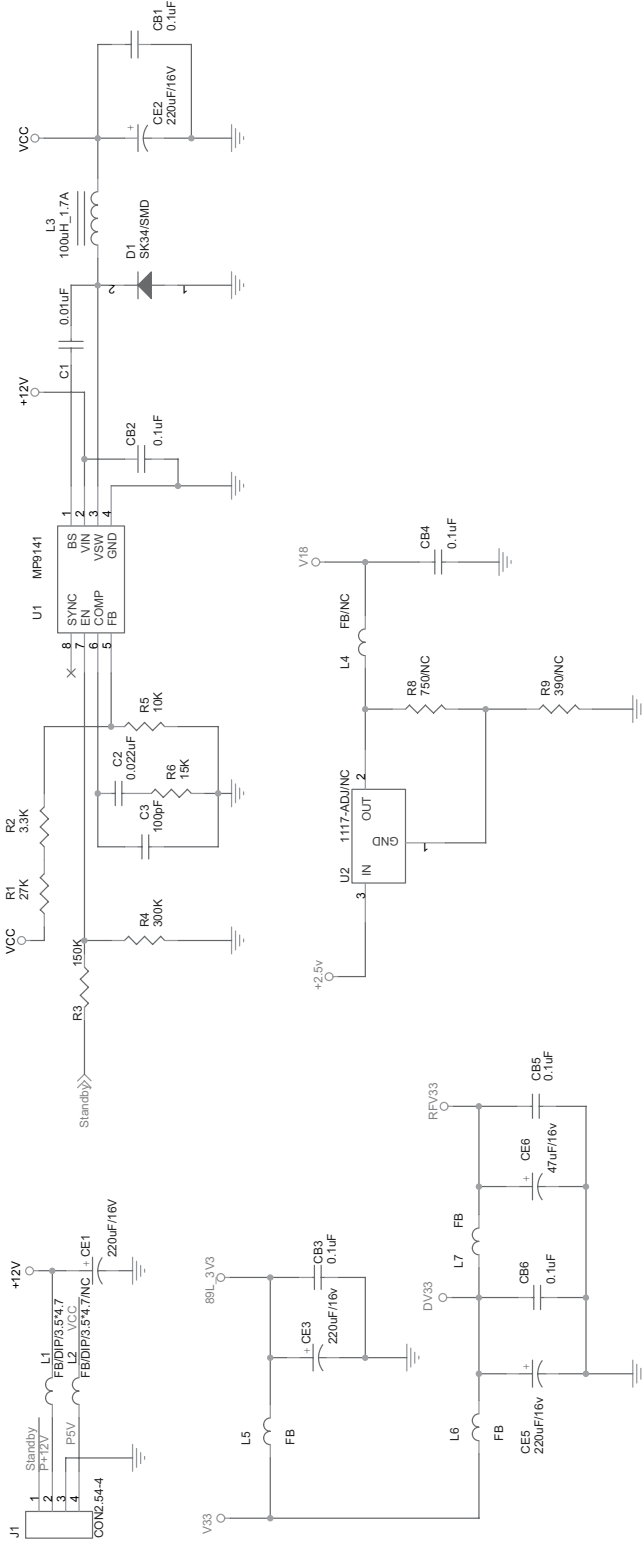
LAYOUT DIAGRAM - AMP BOARD

10 - 3

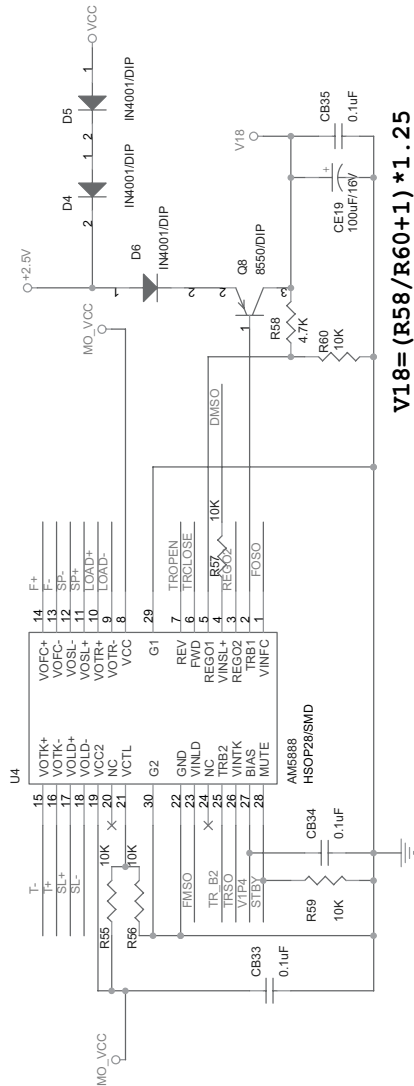
10 - 3



CIRCUIT DIAGRAM - MPEG BOARD PART 1



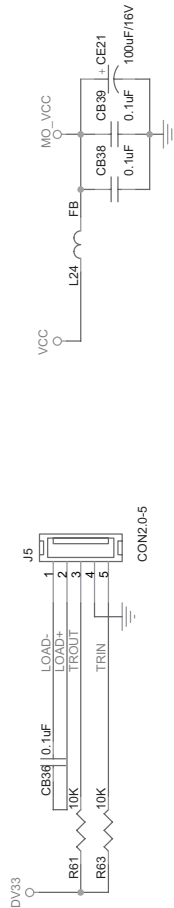
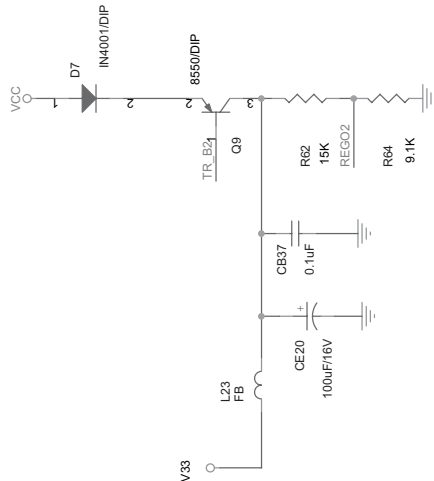
CIRCUIT DIAGRAM - MPEG BOARD
PART 3



$V18 = (R58/R60 + 1) * 1.25$

STBY	<<	STBY	2
STBYN	>>	TROPEN	2
TROPEN	<<	TRCLOSE	2
TRCLOSE	>>	TRIN	2
TRIN	<<	TRIN	2
TRIN	>>	TROUT	2
TROUT	<<	T-	2
T-	>>	T+	2
T+	<<	F-	2
F-	>>	F+	2
F+	<<	SL-	2
SL-	>>	SL+	2
SL+	<<	SP-	2
SP-	>>	SP+	2
SP+	<<	FOSO	2
FOSO	>>	TRSO	2
TRSO	<<	FMSO	2
FMSO	>>	DMSO	2
DMSO	<<	V1P4	2
V1P4	>>		

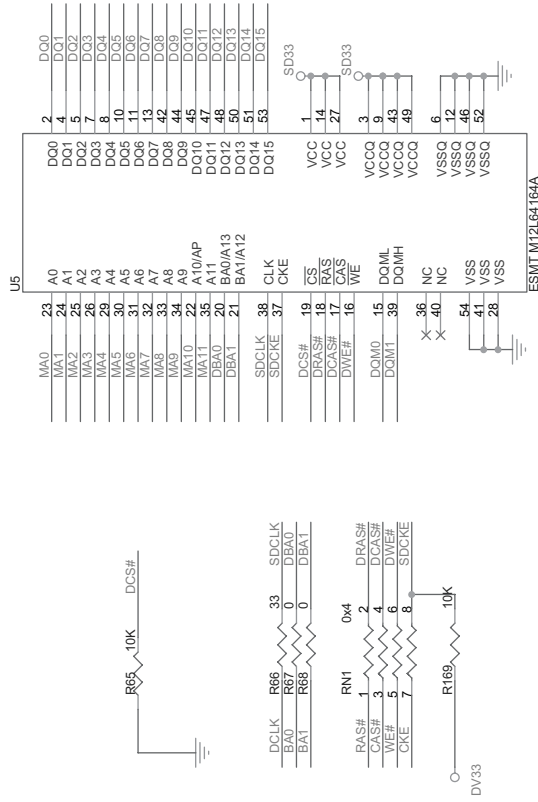
SERVO I/F



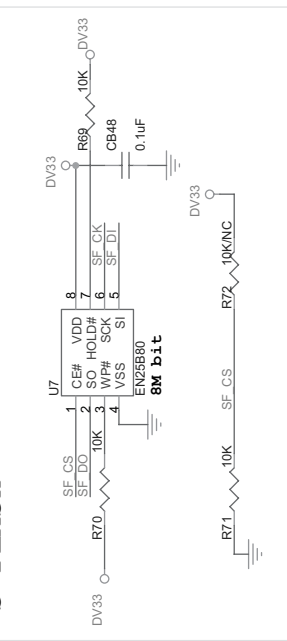
$V18 = (R58/R60 + 1) * 1.25$

CIRCUIT DIAGRAM - MPEG BOARD
PART 4

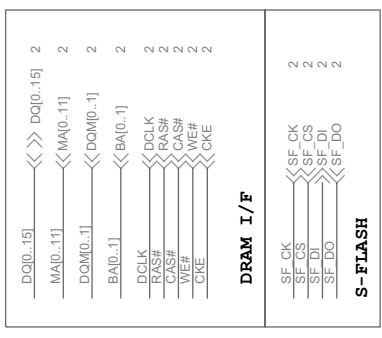
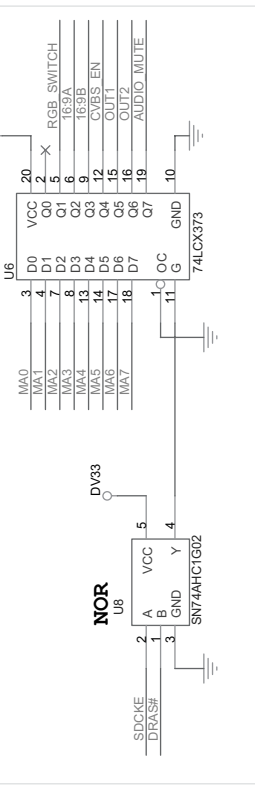
SDRAM

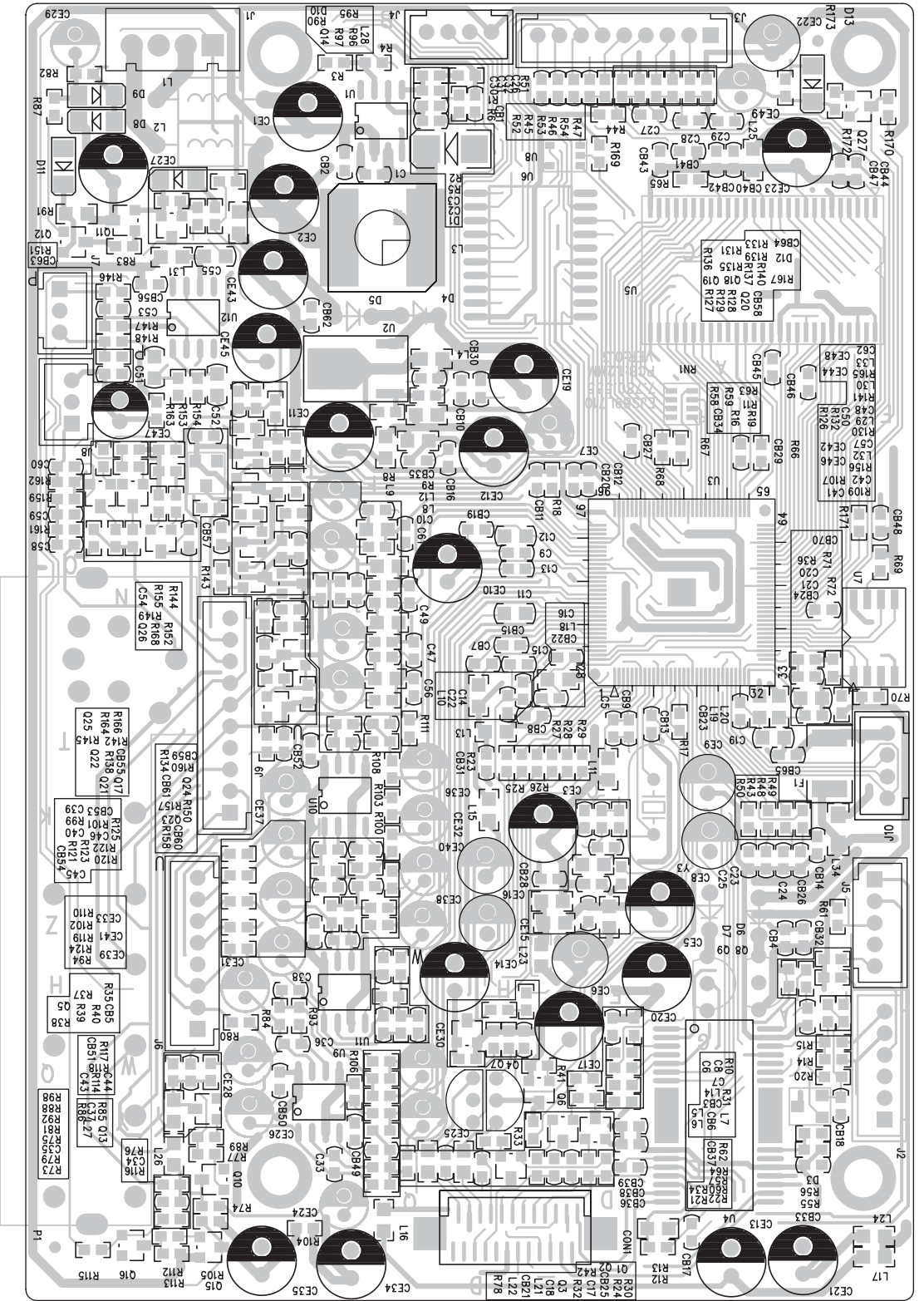


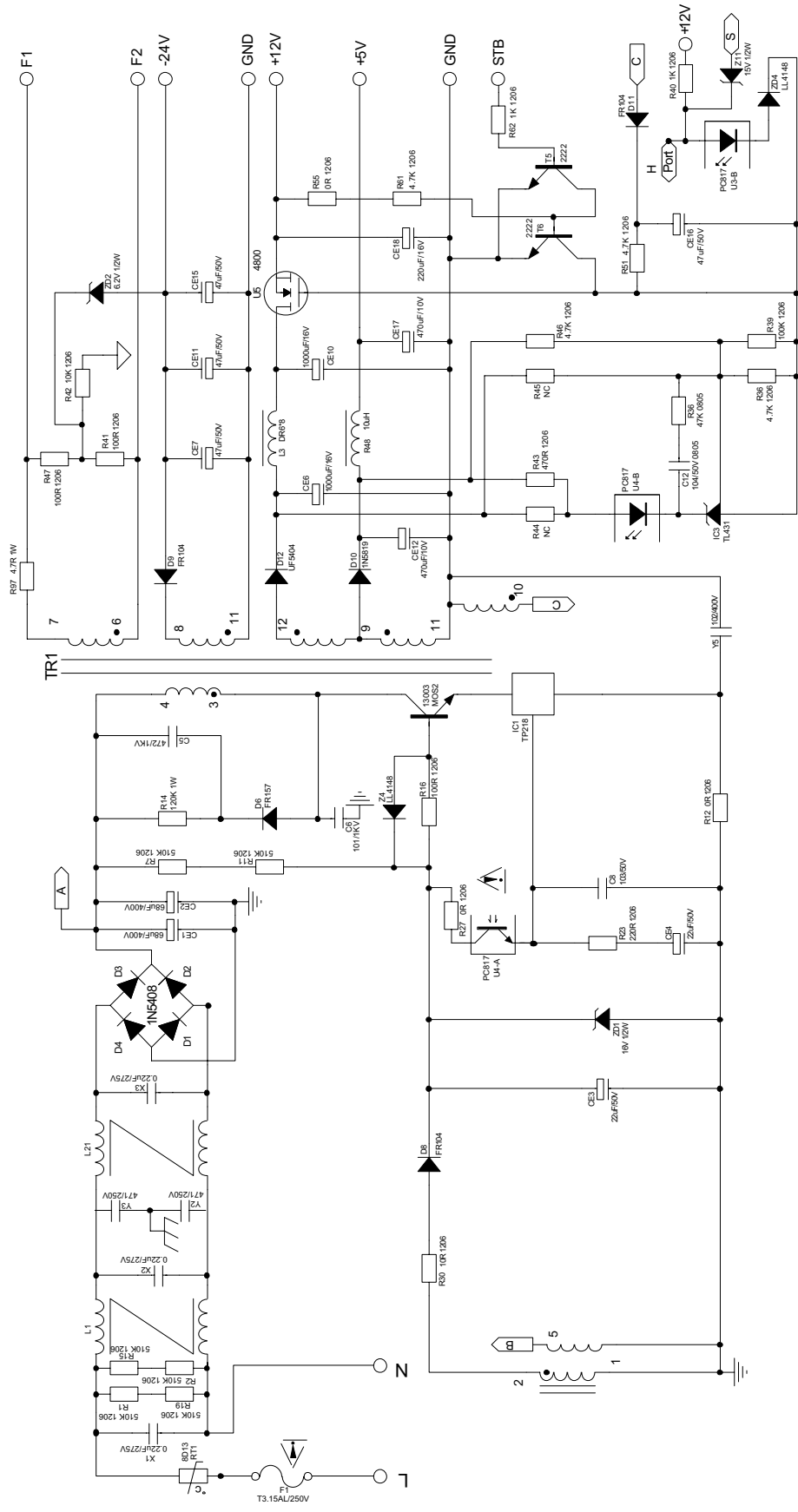
S-FLASH



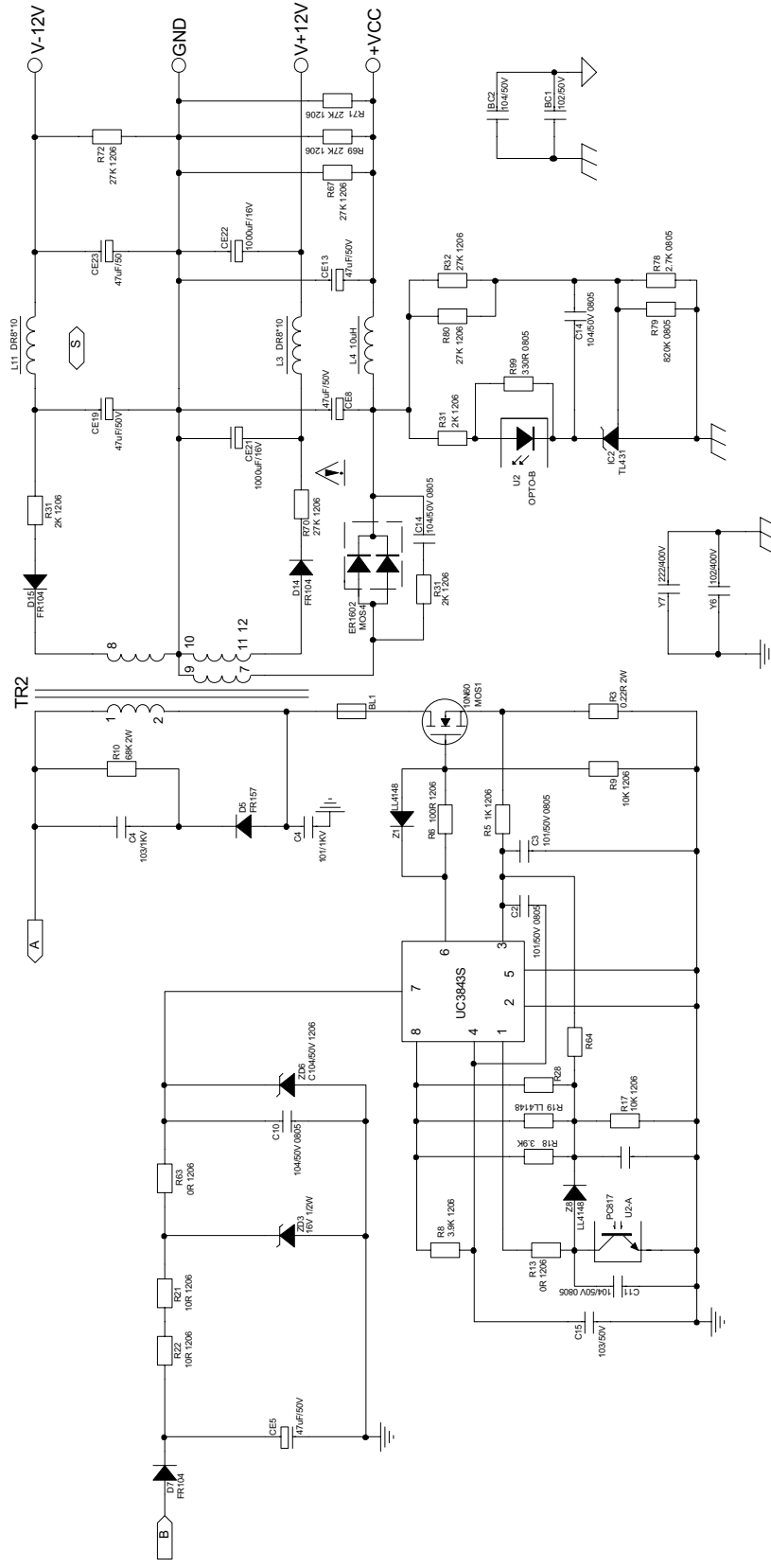
DRAM EXTENSION GPO

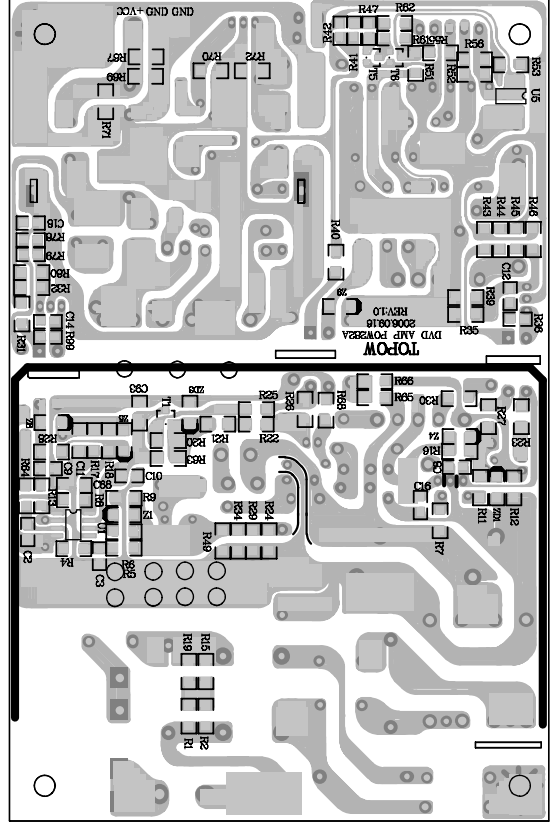
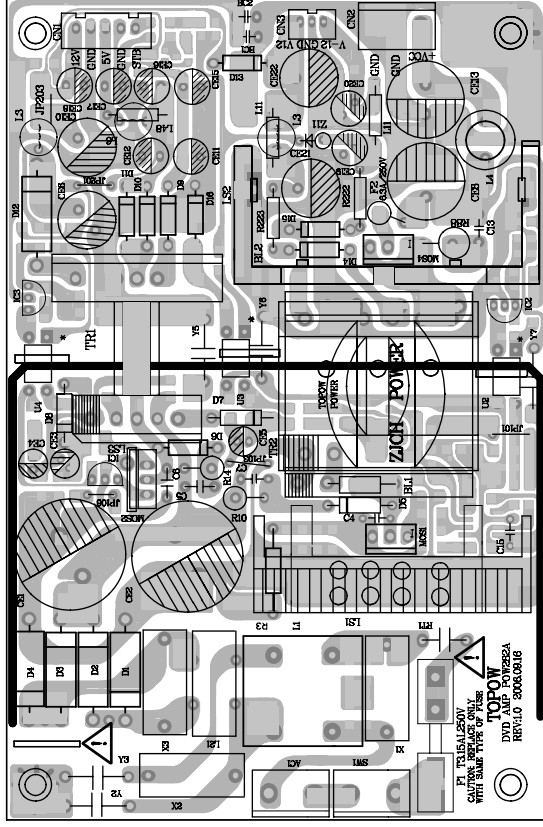




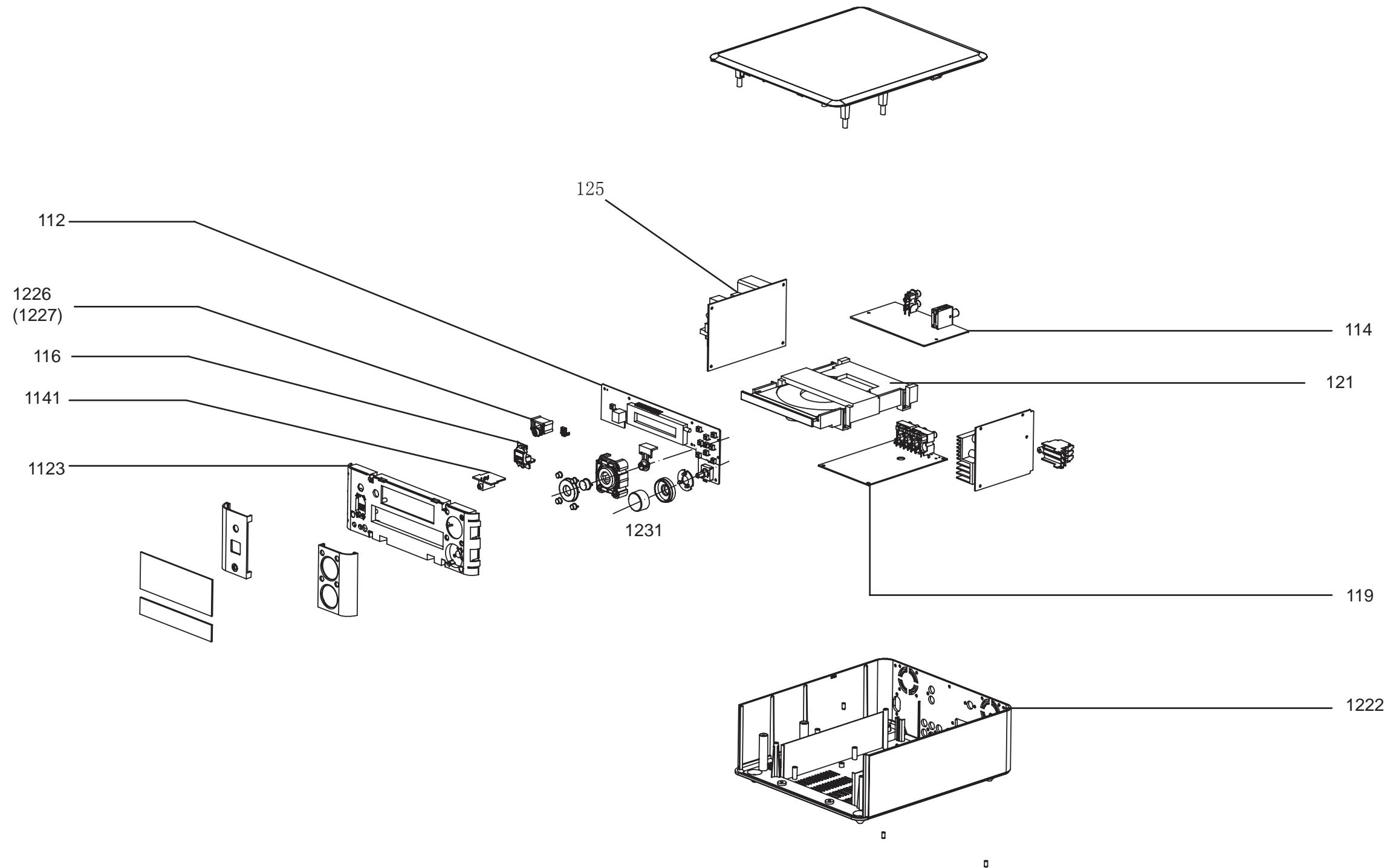


Power Board -- Circuit Diagram 2





EXPLODED VIEW DIAGRAM



SERVICE PARTSLIST

111	996510008405	CPU PCB ASSY MCD715
112	996510007817	VFD DISPLAY PCB ASSY MCD710
113	996510008406	AMP PCB ASSY NE382A
114	996510007819	TUNER BOARD PCB ASSY ECO6-05
1141	996510007820	HEADPHONE PCB ASSY MCD710
115	996510007821	LAMP PCB ASSY MCD710
116	996510007822	USB PCB ASSY MCD710
117	996510007823	USB LAMP PCB ASSY MCD710
118	996510007824	VOLUME PCB ASSY MCD710
119	996510008407	DECODER PCB ASSY MCD715/93
120	996510008408	MCU PARTS ASSY MCD715/93
121	996500042540	DISC ASS'Y MCD708
125	996510040712	POWER PCB ASSY DVD AMP POW282A 50W
1221	996510007826	MCD710 CABINET FRONT HIPS BK
1222	996510008409	MCD715 CAB BOTTOM 5.1CH HIPS
1223	996510007828	MCD710 PLASTIC CAB FRONT HIPS
1224	996510007829	MCD710 CENTER BUTTON BRACKET
1225	996510007830	MCD710 BUTTON BRACKET
1226	996510007831	MCD710 STANDBY BUTTON BRACKET
1227	996510007832	MCD710 STANDBY BUTTON
1228	996510007833	MCD710 FUNCTION -BUTTON
1229	996510007869	MCD710 BEARING KNOB
1230	996510007870	MCD710 KNOB
1231	996510007871	MCD710 VOLUME KNOB
1232	996510007834	MCD710 BIG LENS PMMA
1233	996510007836	MCD710 FUNTION-KNOB OPEN/CLOSE
1234	996510007837	MCD710 FUNTION-BUTTON(STOP)
1235	996510008410	MCD908 DVD DOOR ABST920
1236	996510008411	RUBBER FOOT 4X7.8
1237	996510008412	AC LINE CORD 1.95M CQ-5332-00
1238	996510008413	MINI FAN RDM4010S DC12V/0.07A
1239	994000005519	FLAT FLEX CABLE 24PX200X0.5XA

ACCESSORIES

1241	994000005078	AUDIO SINGLE WIRE W/RCA 1.5M
1242	996510008414	26WIRE 1.5m Fm ANT. WIRE
1243	996510008445	SPEAKER CASING PARTS ASSY (L)
1244	996510008446	SPEAEKR CASING PARTS ASSY(R)
1245	996510008447	SURROUND CASING PARTS(L) ASSY
1246	996510008415	SURROUND CASING PARTS(R) ASSY
1247	996510008416	CENTER PARTS ASSY
1248	996510008417	WOOFER SPEAKER BOX ASSY
1249	996510008418	REMOTE CONTROL ASSY PRC501-17

Note: Only these parts mentioned in the list are normal service parts.

BOM NO.	DESCRIPTION	Q'TY	UNIT	USAGE
09-MCD715-01A101	DVD MAIN UNIT PARTS ASS'Y MCD715/93	1	SET	
07-MCD715-01A101	CPU PCB ASSY MCD715	1	SET	
13000068	CHIP RESISTOR 1K 1/4W J (1206)	2	PCS	R1119,1120
13000116	CHIP RESISTOR 3.3K 1/4W J (1206)	2	PCS	R1074,1073
13000127	CHIP RESISTOR 47K 1/16W J (0805)	5	PCS	R1079,1080,1130,1135,1136
13000178	CARBON FILM RESISTOR 100 1/8W J-52	4	PCS	R1047,1049,1100,1098
13000180	CARBON FILM RESISTOR 100 1/4W J-52	1	PCS	R1137
13000245	CARBON FILM RESISTOR 150 1/8W J-52	1	PCS	R1096
13000280	CARBON FILM RESISTOR 20K 1/8W J-52	2	PCS	R1081,1082
13000321	CARBON FILM RESISTOR 24K 1/8W J-52	1	PCS	R1054
13000058	CHIP RESISTOR 0 1/16W J (0805)	1	PCS	R1123
13000085	CHIP RESISTOR 1.5K 1/16W J (0805)	5	PCS	R1056-1060
13000065	CHIP RESISTOR 100 1/16W J (0805)	14	PCS	R1053,1051,1050,1099,1126,1127,R1101-1107
13000074	CHIP RESISTOR 100K 1/16W J (0805)	3	PCS	R1042,1041,1040
13000070	CHIP RESISTOR 10K 1/16W J (0805)	12	PCS	R1017,1108,1109,1113,1114,1122,R1097,1131,1112,1110,1068,1069
13000067	CHIP RESISTOR 1K 1/16W J (0805)	4	PCS	R1095,1094,1063,1064
13000077	CHIP RESISTOR 1M 1/16W J (0805)	1	PCS	R1008
13000101	CHIP RESISTOR 2.2K 1/16W J (0805)	3	PCS	R1117,1118,1091
13000094	CHIP RESISTOR 20K 1/16W J (0805)	2	PCS	R1084,1083
13000103	CHIP RESISTOR 22K 1/16W J (0805)	2	PCS	R1134,1129
13000106	CHIP RESISTOR 24K 1/16W J (0805)	1	PCS	R1055
13000108	CHIP RESISTOR 270 1/16W J (0805)	6	PCS	R1085-1090
13000115	CHIP RESISTOR 3.3K 1/16W J (0805)	2	PCS	R1076,1075
13000124	CHIP RESISTOR 4.7K 1/16W J (0805)	3	PCS	R1067,1065,1125
13000122	CHIP RESISTOR 470 1/16W J (0805)	2	PCS	R1115,1116
13000140	CHIP RESISTOR 8.2K 1/16W J (0805)	2	PCS	R1071,1070
13000137	CHIP RESISTOR 68K 1/16W J (0805)	1	PCS	R1124
13000134	CHIP RESISTOR 6.2K 1/16W J (0805)	2	PCS	R1093,1092
13000107	CHIP RESISTOR 240K 1/16W J (0805)	1	PCS	R1072
13000136	CHIP RESISTOR 6.8K 1/16W J (0805)	2	PCS	R1062,1061
14000199	ELECTROLYTIC CAP.100u 16V L-5 5X11	3	PCS	C1052,1051,1075
14000234	ELECTROLYTIC CAP.2.2u 50V L-5 5X11	2	PCS	C1063,1062
14000306	ELECTROLYTIC CAP.4.7u 50V L-5 5X11	18	PCS	C1014-1031
14000313	ELECTROLYTIC CAP.47u 10V L-5 5X11	3	PCS	C1096,1095,1107
14000386	CHIP CAP.104P 50V M (0805) Y5V	9	PCS	C1094,1093,1102,1101,1056,1053,C1055,1054,1125
14000420	CHIP CAP.330P 50V K (0805) X7R	12	PCS	C1110-1117,1097-1100
14000160	NONINDUCTIVE CAP.473P 100V K-5	5	PCS	C1092,1091,1090,1089,1088
14000515	ELECTROLYTIC CAP.10u 16V M-5 5X11	3	PCS	C1073,1085,1084
14000375	CHIP CAP.102P 50V K (0805) X7R	1	PCS	C1003
14000379	CHIP CAP.103P 50V K (0805) X7R	6	PCS	C1080-1083,1118,1119
14000437	CHIP CAP.473P 50V M (0805) Y5V	1	PCS	C1072

BOM NO.	DESCRIPTION	Q'TY	UNIT	USAGE
14000410	CHIP CAP.223P 50V M(0805) Y5V	1	PCS	C1079
14000395	CHIP CAP.15p 50V J(0805) NPO	1	PCS	C1109
14000407	CHIP CAP.222P 50V K (0805) X7R	2	PCS	C1087,1086
14000768	ELECTROLYTIC CAP.10u 25V L-5 4X5	1	PCS	C1040
14000435	CHIP CAP.470P 50V K (0805) X7R	2	PCS	C1104,1105
14000446	CHIP CAP.683P 50V M (0805) Y5V	2	PCS	C1076,1071
14000415	CHIP CAP.30p 50V J(0805) NPO	4	PCS	C1120,1121,1123,1124
14001003	ELECTROLYTIC CAP. 220u 16V L-5 6.3X5	7	PCS	C1064-1068,1103,1106
14000684	CHIP CAP.154P 50V M (0805) Y5V	1	PCS	C1069
14000848	CHIP CAP.334P 16V M (0805) Y5V	1	PCS	C1070
14001088	ELECTROLYTIC CAP.10u 10V M4X5	1	PCS	C1108
15000010	AXAIL FIXED INDUCTOR 100u	1	PCS	L101
16000018	DIODE 4148-52	6	PCS	D1001-1003,1005-1007
16000068	ZENER DIODE 5.1V 1/2W-52	1	PCS	DZ102
16000115	DIODE IN60 L26	1	PCS	D1004
17000004	CHIP TRANSISTOR 8050(SOT-23)	1	PCS	Q112
17000025	TRANSISTOR 8050C-5	3	PCS	Q103,104,105
17000030	TRANSISTOR 8550C-5	2	PCS	Q101,102
17000034	TRANSISTOR 9014C-5	1	PCS	Q108
19000075	IC PT2309-S(L) SOP	1	PCS	IC106
19000081	IC PT2322 SOP	1	PCS	IC105
19000083	IC PT2323 SOP	1	PCS	IC104
19000253	IC TL072 SOP	1	PCS	IC107
19000383	IC PCF8563/AMI8563 SOP8	1	PCS	IC102
19000071	IC AT24C02-PC27(2.7V) SOP PACKING	1	PCS	IC103
22000018	CERAMIC CRYSTAL OSCILLATOR 4.19mHz	1	PCS	X102
22000021	CRYSTAL OSCILLATOR 32.768KHz Φ 3XH8 \pm 10PPM	1	PCS	X101
24000070	RCA SOCKET 2p AV2-8.4-13 RED WHITE	1	PCS	J1000
25000009	PINS CONNECTOR 2.0/2P	1	PCS	CN120
25000012	PINS CONNECTOR 2.5/2P	1	PCS	CN116
25000014	PINS CONNECTOR 2.0/3P	2	PCS	CN118,105
25000016	PINS CONNECTOR 2.5/3P	1	PCS	CN107
25000025	PINS CONNECTOR 2.0/4P	2	PCS	CN110,108
25000034	PINS CONNECTOR 2.0/5	1	PCS	CN101
25000038	PINS CONNECTOR 2.5/5P	1	PCS	CN115
25000040	PINS CONNECTOR 2.0/6P	1	PCS	CN103
25000044	PINS CONNECTOR 2.0/7P	3	PCS	CN104,119,109
25000053	PINS CONNECTOR 2.0/9P	1	PCS	CN113
35-MCD715-01A1	CPU PCB 35-MCD715-01A1	1	PCS	
42000135	BARE WIRE Φ 0.6X40mm (375m=1kg)	16	PCS	JP101-116
07-MCD710-02A101	VFD DISPLAY PCB ASSY MCD710	1	SET	

BOM NO.	DESCRIPTION	Q'TY	UNIT	USAGE
11000402	△TRANSFORMER EE13 5V	1	PCS	B200
13000060	CHIP RESISTOR 0 1/4W J (1206)	2	PCS	R206,207
13000065	CHIP RESISTOR 100 1/16W J (0805)	3	PCS	R203,204,205
13000067	CHIP RESISTOR 1K 1/16W J (0805)	2	PCS	R226,227
13000070	CHIP RESISTOR 10K 1/16W J (0805)	2	PCS	R211,231
13000071	CHIP RESISTOR 10K 1/4W J (1206)	1	PCS	R232
13000117	CHIP RESISTOR 33K 1/16W J (0805)	4	PCS	R255,256,257,258
13000121	CHIP RESISTOR 47 1/4W J(1206)	1	PCS	R260
13000124	CHIP RESISTOR 4.7K 1/16W J (0805)	1	PCS	R259
13000160	CARBON FILM RESISTOR 0.5 1/4W J-52	1	PCS	R229
13000238	CARBON FILM RESISTOR 15 1/4W J-52	1	PCS	R210
13000731	CHIP RESISTOR 47K 1/4W J(1206)	1	PCS	R254
13000317	CARBON FILM RESISTOR 2.2 1/2W J-52	1	PCS	R228
14000158	MYLAR CAP. 473J 100V K	1	PCS	C234
14000326	ELECTROLYTIC CAP.47u 16V L-5 5X7	2	PCS	C205,219
14000386	CHIP CAP.104P 50V M (0805) Y5V	4	PCS	C204,203,217,233
14000562	ELECTROLYTIC CAP.470u 16V L-5 8X11.5/12	1	PCS	C232
14000636	CHIP CAP.104P 50V M (1206) Y5V	1	PCS	C202
14001004	ELECTROLYTI CAP.220u 35V L-5 8X11.5	1	PCS	C235
15000210	INDUCTOR 200U 6X5	1	PCS	L201
16000018	DIODE 4148-52	5	PCS	D204-207,209,
16000098	ZENER DIODE 6.2V 1W	1	PCS	DZ200
16000104	RECTIFIER DIODE 4001-52	1	PCS	D201
16000316	DIODE FR104	1	PCS	D208
17000025	TRANSISTOR 8050C-5	2	PCS	Q208,209
19000295	IC PT6311/SC16311/CD16311	1	PCS	IC203
21000001	REMOTE CONTROL SENSOR IR SENSOR SMALL	1	PCS	S200
23000034	LIGHT TOUCH SWITCH 6X6X5 130g	5	PCS	SW200,201,204,205,208
23000036	LIGHT TOUCH SWITCH 6X6X5 250g	5	PCS	SW202,203,206,207,209
29000271	VFD DISPLAY NE-705D-3.GB	1	PCS	VFD200
35-MCD710-02A1	VFD DISPLAY PCB 35-MCD710-02A1	1	PCS	
36000156	BLACK SPONGE 20X10X7 40°	3	PCS	
36000994	BLACK SPONGE 11X6X11 75°	1	PCS	
42000135	BARE WIRE Ø0.6X40mm (375m=1kg)	24	PCS	
07-NE381-01A101	AMP PCB ASSY NE381	1	SET	
13000063	CHIP RESISTOR 10 1/4W J (1206)	4	PCS	R314-317
13000067	CHIP RESISTOR 1K 1/16W J (0805)	2	PCS	R300,319
13000095	CHIP RESISTOR 22 1/16W J (0805)	1	PCS	R303
13000096	CHIP RESISTOR 22 1W J (2512)	2	PCS	R304,305
13000101	CHIP RESISTOR 2.2K 1/16W J (0805)	1	PCS	R301
13000110	CHIP RESISTOR 30K 1/16W J (0805)	1	PCS	R302

BOM NO.	DESCRIPTION	Q'TY	UNIT	USAGE
13000129	CHIP RESISTOR 560 1/16W J (0805)	1	PCS	R311
13000131	CHIP RESISTOR 5.6K 1/16W J (0805)	5	PCS	R306-310
14000342	ELECTROLYTIC CAP.47u 63V L-5 6.3X11	1	PCS	C343
14000375	CHIP CAP.102P 50V K (0805) X7R	10	PCS	C301-310
14000386	CHIP CAP.104P 50V M (0805) Y5V	11	PCS	C332-334,323-330
14000396	CHIP CAP.153P 50V M (0805) Y5V	2	PCS	C339,340
14000405	CHIP CAP.220P 50V K (0805) X7R	6	PCS	C312-315,317,318
14000438	CHIP CAP.474P 50V M (0805) Y5V	4	PCS	C319-322
14000450	NONINDUCTIVE CAP.104J 100V K	2	PCS	C331,335
14000485	CHIP CAP.224P 100V M (1206) Y5V	1	PCS	C336
14000678	NONINDUCTIVE CAP.334J 100V K-5	2	PCS	C341,342
14000515	ELECTROLYTIC CAP.10u 16V M-5 5X11	1	PCS	C300
14000563	ELECTROLYTIC CAP.470u 35V L 10X16	4	PCS	C344-347
14000586	CHIP CAP.220P 50V K (1206) X7R	1	PCS	C316
14000881	NONINDUCTIVE CAP.224P 100V K-5	2	PCS	C337,338
14001037	ELECTROLYTIC CAP.47u 16V L-5 5X5	1	PCS	C311
15000031	FIXED INDUCTOR 47u	2	PCS	L300,301
16000325	CHIP ZENER DIODE 5.6V (LL-34)	1	PCS	DZ300
17000049	CHIP TRANSISTOR BC847B(SOT23)	1	PCS	Q300
19000121	CHIP IC TDA8922BTH	1	PCS	IC300
24000460	SP. OUTPUT CLIP 4P PST-425	1	PCS	CN301
25000009	PINS CONNECTOR 2.0/2P	1	PCS	CN302
25003136	PINS CONNECTOR VH3.96/3P	1	PCS	CN304
25000034	PINS CONNECTOR 2.0/5	1	PCS	CN300
33000017	FERRITE BEAD JRH0349 BLUE	2	PCS	L302,303
35-NE381-01A1	AMP PCB NE381-01	1	PCS	
36001183	MICA INSULATION SHEET 15.5X11	1	PCS	
37-DRH300-06A100	HEAT SINK DR-H300 28X30X45	1	PCS	
37-MCD710-03A100	MCD710 PCB BRACKET	1	PCS	
38000231	SCREW 3 X 12 BTH NICKEL-PLATE	2	PCS	
38000275	SCREW 3 X 5 BMTT NICKEL-PLATE	1	PCS	
39000715	CORDH=3.5	2	PCS	
07-EC06-05A104	TUNER BOARD PCB ASSY ECO6-05	1	SET	
13000645	CHIP RESISTOR 100K 1/16W J(0603)	1	PCS	R18
13000646	CHIP RESISTOR 10K 1/16W J(0603)	3	PCS	R15,16,8
13000640	CHIP RESISTOR 10 1/16W J(0603)	1	PCS	R19
13000664	CHIP RESISTOR 1M 1/16W J(0603)	3	PCS	R2,3,12
13000697	CHIP RESISTOR 4.7K 1/16W J(0603)	3	PCS	R4-6
13000990	CHIP RESISTOR 47 1/16W J(0603)	1	PCS	R1
13001110	CHIP RESISTOR 10M 1/16W J (0603)	1	PCS	R11
13000719	CHIP RESISTOR 820 1/16W J(0603)	2	PCS	R13,14

BOM NO.	DESCRIPTION	Q'TY	UNIT	USAGE
14000737	CHIP CAP.10P 50V J (0603) NPO	1	PCS	C14
13000689	CHIP RESISTOR 330 1/16W J(0603)	1	PCS	R22
14000670	CHIP CAP.12P 50V J(0603)NPO	1	PCS	C20
14000698	CHIP CAP.223P 50V M (0603) Y5V	1	PCS	C25
14001087	CHIP CAP.39P 50V J (0603) NPO	1	PCS	C21
14000677	CHIP CAP.47P 50V J(0603)NPO	1	PCS	C8
14000756	CHIP CAP.224P 50V M (0603) Y5V	4	PCS	C2-5
14000448	TANTALUM CAP. 22uF/6.3V (A) (3216)	5	PCS	C1,18,19,22,24
14000671	CHIP CAP.27P 50V J(0603) NPO	1	PCS	C7
14000667	CHIP CAP.100P 50V K (0603) X7R	2	PCS	C6,23
14000669	CHIP CAP.103P 50V K (0603) X7R	5	PCS	C10,11,15,16,17
14000382	CHIP CAP.104P 50V M (0603) Y5V	3	PCS	C13,12,9
15000221	CHIP INDUCTOR 120n K (0603)	1	PCS	L1
15000220	CHIP INDUCTOR 100uH K(1206)	1	PCS	L6
15000222	CHIP INDUCTOR 39n J (0603)	1	PCS	L7
15000240	CHIP INDUCTOR 10U (0603)	1	PCS	L8
16000357	CHIP ZENER DIODE 3.6V 1/2W (LL-34)	1	PCS	DZ1
17000009	CHIP TRANSISTOR 9014 (SOT-23)	2	PCS	Q2,3
17000004	CHIP TRANSISTOR 8050(SOT-23)	1	PCS	Q1
19000461	IC 74HC2G04	1	PCS	IC2
19000431	IC TEA5760UK	1	PCS	IC1
22000036	CRYSTAL OSCILLATOR 32.768KHZ ϕ 2X6	1	PCS	X1
33000063	FERRITE BEAD 601 K (0603)	2	PCS	L4,5
25002926	PINS CONNECTOR 2.0X2X4P H8	1	PCS	CN1
35-EC06-05A1	PCB 35-EC06-05A1 TUNER	1	PCS	
37001242	METAL BOX F-8 28X26X13 NICKEL-PLATE	1	PCS	
07-MCD710-04A101	HEADPHONE PCB ASSY MCD710##	1	SET	
24000120	HEADPHONE SOCK ϕ 3.5 TE-03501S-11	1	PCS	J400
35-MCD710-04A1	PHONE PCB 35-MCD710-04A1	1	PCS	
07-MCD710-07A101	LAMP PCB ASSY MCD710	1	SET	
13001001	CHIP RESISTOR 220 1/16W J (0603)	3	PCS	R700-702
16000345	LED ϕ 3 H3.6	3	PCS	LED701-703
35-MCD710-07A1	LAMP PCB 35-MCD710-07A1	1	PCS	
07-MCD710-10A101	USB PCB ASSY MCD710	1	SET	
24000019	USB A-TYPE 4 P FEMALE 90°DIP TYPE	1	PCS	J1001
14000515	ELECTROLYTIC CAP.10u 16V M-5 5X11	1	PCS	C1001
14000386	CHIP CAP.104P 50V M (0805) Y5V	1	PCS	C1002
35-MCD710-10A1	USB PCB 35-MCD710-10A1	1	PCS	
07-MCD710-05A101	USB LAMP PCB ASSY MCD710	2	SET	
16000345	LED ϕ 3 H3.6	1	PCS	LED501
13001001	CHIP RESISTOR 220 1/16W J (0603)	1	PCS	R501

BOM NO.	DESCRIPTION	Q'TY	UNIT	USAGE
35-MCD710-05A1	USB LAMP PCB 35-MCD710-05A1	1	PCS	
07-MCD710-08A101	VOLUME PCB ASS'Y MCD710	1	SET	
30000001	CODER ED-1612-00-F15 40-80G	1	PCS	ENCODER800
35-MCD710-08A1	VOLUME PCB 35-MCD710-08A1	1	PCS	
32000412	POWER PCB ASS'Y DVD AMP POW282A 50W	1	PCS	
04-MCD715-01A101	DECODER PCB ASS'Y MCD715/93	1	SET	
32000555	DVD DECODER CARD 89L710(5.1)	1	PCS	
46-MCD715-01A101	MCD715/93 DVD SOFTWARE(V1.0)	1	PCS	
04-MCD715-02A101	MCU PARTS ASS'Y MCD715/93	1	SET	
19000169	CPU U252(3P9228 XYZ-CAN CHANGE)	1	PCS	IC101
45-MCD715-01A101	MCD715/93 CPU SOFTWARE(V1.0)	1	PCS	
08-MCD708-09A102	DISC ASS'Y MCD708	1	SET	
31000066	DVD MECHANISM SONY KHM-313AAA OPTICAL	1	PCS	
31000043	DVD MECHANISM BRACKET RT-656n	1	PCS	
08-MCD715-01A101	DVD UNIT CASING PARTS ASS'Y MCD715/93	1	SET	
37-MCD710-01A101	MCD710 ALM.PANEL(L)	1	PCS	
37-MCD710-02A101	MCD710 ALM.PANEL(R)	1	PCS	
37-MCD988-03A100	MCD988 USB PCB PRESS PLATE	4	PCS	
39-MCD710-01A101	MCD710 CABINET FRONT HIPS BLACK	1	PCS	
39-MCD710-26A101	MCD715 CABINET BOTTOM 5.1CH HIPS SILVER	1	PCS	
39-MCD710-03A100	MCD710 PLASTIC CABINET FRONT HIPS	1	PCS	
39-MCD710-04A100	MCD710 CENTER BUTTON BRACKET ABS	1	PCS	
39-MCD710-05A100	MCD710 BUTTON BRACKET ABS	1	PCS	
39-MCD710-06A100	MCD710 STANDBY BUTTON BRACKET ABS	1	PCS	
39-MCD710-07A101	MCD710 STANDBY BUTTON ABS	1	PCS	
39-MCD710-08A101	MCD710 FUNCTION -BUTTON ABS	2	PCS	
39-MCD710-09A101	MCD710 BEARING BUTTON ABS	1	PCS	
39-MCD710-10A101	MCD710 CENTER##BUTTON #ABS	1	PCS	
39-MCD710-11A101	MCD710 VOLUME KNOB ABS	1	PCS	
39-MCD710-13A101	MCD710 BIG LENS PMMA	1	PCS	
39-MCD710-14A101	MCD710 SMALL LENS PMMA	1	PCS	
39-MCD710-15A100	MCD710 MIC VOLUME KNOB LAMP PCB PMMA	1	PCS	
39-MCD710-18A101	MCD710 FUNTION-KNOB(OPEN/CLOSE) ABS	1	PCS	
39-MCD710-19A101	MCD710 FUNTION-BUTTON(STOP) ABS	1	PCS	
39-MCD908-04A303	MCD908 DVD DOOR ABST920 FOR MCD715	1	PCS	
39-MCD706-01B101	MCD706 USB LAMP PCB PMMA	1	PCS	
36001167	MCD706 PVC SHEET 14.7X5.9X0.5	1	PCS	
36000511	RUBBER FOOT Φ4X7.8 MCD705	4	PCS	
36001235	PAD CORD 40X6X10 70°	1	PCS	
36000623	ROD FIBER PAPER WASHER 12X3X1	1	PCS	
36000793	BLACK SPONGE 10X10X16 40°	1	PCS	

BOM NO.	DESCRIPTION	Q'TY	UNIT	USAGE
36001195	BLACK SPONGE 14.5X5X1 40°	1	PCS	
36001206	PVC SHEET 134X87X0.5	1	PCS	
36000363	WIRE TIC 70	5	PCS	
36001196	BLACK SPONGE 38.5X5X1 40°	1	PCS	
36000963	WHITE SPONGE 47X10X2 40°	1	PCS	
37000960	SCUTCHEON PHILIPS 56X10 ALM	1	PCS	
38000030	SCREW 3 X 5 FM NICKEL-PLATE	2	PCS	
38000143	SCREW 3 X 10 FA Ø5.5 NICKEL-PLATE	8	PCS	
38000116	SCREW 3 X 12 PA BLACK	4	PCS	
38000320	OUTSIDE HEXAGON GALVANIZED M3 NICKEL-PL.	4	PCS	
38000665	SCREW 3 X 15 FM NICKEL-PLATE	4	PCS	
38000187	SCREW 3 X 8 BA NICKEL-PLATE	2	PCS	
38000166	SCREW 3 X 10 PWA NICKEL-PLATE	4	PCS	
38000191	SCREW 3 X 10 BA BLACK	2	PCS	
38000887	SCREW 3X8 PT NICKEL-PLATE	7	PCS	
38000847	SCREW 2.6 X 8 BA BLACK	15	PCS	
26000245	△AC LINE CORD 1.95M CQ-5332-00 CCC	1	PCS	
34000029	MINI FAN RDM4010S DC12V/0.07A	1	PCS	
25001175	FLAT FLEXIBLE CABLE 24PX200X0.5XA	1	PCS	
25003019	28WIRE 250 2.0/7PX2	1	PCS	
25003138	28WIRE 350 2.0/4PX1 2.0/4P	1	PCS	
25003021	28WIRE 150 2.0/7P 2.0/5P 2.0/8P	1	PCS	
25003022	26WIRE 350 2.0/7PX1 2.0/7P	1	PCS	
25003024	22WIRE 180 2.5/3PX2	1	PCS	
25002953	22 SINGLE WIRE 100 2.5/5PX2	1	PCS	
25003139	18WIRE 350 3.96/3PX1 VH3.96/3PX1	1	PCS	
25003026	26WIRE 350 2.0/3PX1 2.0/3P	1	PCS	
25002956	26WIRE 350 2.0/2PX1	1	PCS	
25002957	26WIRE 80 2.0/4PX1	1	PCS	
25003140	26WIRE 250 2.0/4PX1 2.0/4P	1	PCS	
25003027	26WIRE 300 2.0/5PX2	1	PCS	
25000635	28WIRE 250 2.0/6PX2	1	PCS	
25002821	22 SINGLE WIRE 180 2.0/3PX2	1	PCS	
25003028	22WIRE 200 2.0/8PX1 2.0/9PX1	1	PCS	
25003149	26WIRE 110 2.0/4PX2	1	PCS	
25002665	JACK VH3.96/3P	1	PCS	
41005707	DUST PAPER 51X40 BLACK	1	PCS	
41005811	DUST PAPER 118X78 BLACK	1	PCS	
09-MCD715-02A101	ACCESSORY PARTS ASS'Y MCD715/93	1	SET	
27000043	AUDIO SINGLE WIRE W/RCA PLUG 1.5M YELLOW	1	PCS	
25001753	26WIRE 1.5m Fm ANT. WIRE	1	PCS	

BOM NO.	DESCRIPTION	Q'TY	UNIT	USAGE
41005455	I.M MCD715/93 CHINA/ENGLISH	1	PCS	
41002186	WARRANTY CARD PH 996500033498	1	PCS	
41005456	WARRANTY CRAD MODEL LABEL MCD715/93	1	PCS	
41003424	PH WARRANTY CARD PH 3141 075 21791	1	PCS	
41005457	QUICK START GUIDE MCD715/93	1	PCS	
41000912	WARRANTY CARD PH ENGLISH/CHINESE 208X293	1	PCS	
41000612	PHILIPS LOCAL SALES QC PASS 35X46	1	PCS	
41002444	ACCESSORY AGENT BLANK BOX 306X217X57	1	PCS	
09-MCD715-03A101	PACKING PARTS ASSY MCD715/93	1	SET	
41005469	POLYFOAM MCD715	1	PCS	
41000177	PE POLYBAG 20X7cm	1	PCS	
41001013	PE POLYBAG 24X7cm	1	PCS	
41001014	PE POLYBAG 26X17cm	1	PCS	
41000202	PE POLYBAG 33X22cm	1	PCS	
41003951	TISSUE BLOW MOLDING 40X35CM	1	PCS	
41005458	GIFT BOX PREMIER MCD715/93	1	PCS	
41005459	CARTON BOX MCD715/93	1	PCS	
41001299	DVD REGION CODE LABEL V93	1	PCS	
41005460	POS BILLBOARD MCD715/93	1	PCS	
41000489	Q.C PASSED LABEL Φ13	1	PCS	
41002050	CARTON SERIAL NO. LABEL PHILIPS/93 82X32	1	PCS	
41000650	CC S&E LABEL	2	PCS	
41003148	LEAKPROOF LABEL 68X25 BLACK	1	PCS	
41005461	GIFT BOX LABEL MCD715/93 91X111	1	PCS	
41000673	LASER WARNING LABEL PH Φ15 BLACK	1	PCS	
41005462	DVD UNIT MAIN LABEL MCD715/93 59.5X39.5	1	PCS	
41005706	SPECIAL LABEL MCD/DCD715 59.5X39.5	1	PCS	
09-MCD715-04A101	SPEAKER BOX ASSY MCD715/93	1	SET	
08-MCD715-02A101	SPEAKER CASING PARTS ASS'Y (L) MCD715/93	1	SET	
37-MCD713-01A101	MCD713 SPEAKER BRACKET SILVER	1	PCS	
39-DCD713-01A100	DCD713 CENTER SPEAKER BOX PANEL HIPS	1	PCS	
39-DCD713-02A101	DCD713 BACK SPEAKER BOX PANEL HIPS	1	PCS	
39-DCD713-03A101	DCD713 SPEAKER BOX BRACKET FRONT PCB	1	PCS	
39-DCD713-04A101	DCD713 DECORATE BAR HIPS	1	PCS	
36001014	RUBBER FOOT Φ12X7.7 60° BLACK	4	PCS	
36001216	PVC SHEET 27.8X23.8X1.0 BLACK	2	PCS	
38000187	SCREW 3 X 8 BA NICKEL-PLATE	4	PCS	
38000196	SCREW 3 X 12 BA NICKEL-PLATE	8	PCS	
38000855	SCREW 3 X 6 PWT Φ10 NICKEL-PLATE	9	PCS	
38000866	SCREW 4 X 25 BM NICKEL-PLATE	1	PCS	
27000344	SPEAKER CORDS 5M	1	PCS	

BOM NO.	DESCRIPTION	Q'TY	UNIT	USAGE
28000556	SPEAKER 3" 4Ω20W	1	PCS	
40000443	SPEAKER BOX BOARD MCD715 Φ85.5X9.5 BLACK	1	PCS	
41003877	TISSUE BLOW MOLDING 35X23CM	1	PCS	
41005463	MAIN SPEAKER BOX LABEL (L) MCD715/93	1	PCS	
08-MCD715-03A101	SPEAKER CASING PARTS ASS'Y(R) MCD715/93	1	SET	
37-MCD713-01A101	MCD713 SPEAKER BRACKET SILVER	1	PCS	
39-DCD713-01A100	DCD713 CENTER SPEAKER BOX PANEL HIPS	1	PCS	
39-DCD713-02A101	DCD713 BACK SPEAKER BOX PANEL HIPS	1	PCS	
39-DCD713-03A101	DCD713 SPEAKER BOX BRACKET FRONT PCB	1	PCS	
39-DCD713-04A101	DCD713 DECORATE BAR HIPS	1	PCS	
36001014	RUBBER FOOT Φ12X7.7 60° BLACK	4	PCS	
36001216	PVC SHEET 27.8X23.8X1.0 BLACK	2	PCS	
38000187	SCREW 3 X 8 BA NICKEL-PLATE	4	PCS	
38000196	SCREW 3 X 12 BA NICKEL-PLATE	8	PCS	
38000855	SCREW 3 X 6 PWT Φ10 NICKEL-PLATE	9	PCS	
38000866	SCREW 4 X 25 BM NICKEL-PLATE	1	PCS	
27000345	SPEAKER CORDS 5M	1	PCS	
28000556	SPEAKER 3" 4Ω20W	1	PCS	
40000443	SPEAKER BOX BOARD MCD715 Φ85.5X9.5 BLACK	1	PCS	
41003877	TISSUE BLOW MOLDING 35X23CM	1	PCS	
41005464	MAIN SPEAKER BOX LABEL (R) MCD715/93	1	PCS	
08-MCD715-04A101	SURROUND CASING PARTS (L) ASS'Y MCD715	1	SET	
37-MCD713-05A101	MCD713 SPEAKER BRACKET SILVER	1	PCS	
39-DCD713-01A100	DCD713 CENTER SPEAKER BOX PANEL HIPS	1	PCS	
39-DCD713-02A101	DCD713 BACK SPEAKER BOX PANEL HIPS	1	PCS	
39-PS11-07A101	PS-11 PEDESTAL DOWN COVER	1	PCS	
39-PS11-09A101	PS-11 EDESTAL ABOVE COVER ABS SILVER	1	PCS	
39-DCD713-04A101	DCD713 DECORATE BAR HIPS	1	PCS	
36001034	RUBBER FOOT 41.5X10.3X3	4	PCS	
36001216	PVC SHEET 27.8X23.8X1.0 BLACK	2	PCS	
38000187	SCREW 3 X 8 BA NICKEL-PLATE	4	PCS	
38000193	SCREW 3 X 10 BA NICKEL-PLATE	8	PCS	
38000855	SCREW 3 X 6 PWT Φ10 NICKEL-PLATE	8	PCS	
38000866	SCREW 4 X 25 BM NICKEL-PLATE	1	PCS	
38000770	SCREW 4 X 10 PWM Φ10 BLACK	4	PCS	
27000342	SPEAKER CORDS 10M	1	PCS	
28000558	WOOFER SPEAKER 3"4Ω20WΦ55	1	PCS	
40000443	SPEAKER BOX BOARD MCD715 Φ85.5X9.5 BLACK	1	PCS	
41003877	TISSUE BLOW MOLDING 35X23CM	1	PCS	
41005466	SURROUND SPEAKER LABEL(L) MCD715/93	1	PCS	
08-MCD715-05A101	SURROUND CASING PARTS (R) ASS'Y MCD715	1	SET	

BOM NO.	DESCRIPTION	Q'TY	UNIT	USAGE
37-MCD713-05A101	MCD713 SPEAKER BRACKET SILVER	1	PCS	
39-DCD713-01A100	DCD713 CENTER SPEAKER BOX PANEL HIPS	1	PCS	
39-DCD713-02A101	DCD713 BACK SPEAKER BOX PANEL HIPS	1	PCS	
39-PS11-07A101	PS-11 PEDESTAL DOWN COVER	1	PCS	
39-PS11-09A101	PS-11 EDESTAL ABOVE COVER ABS SILVER	1	PCS	
39-DCD713-04A101	DCD713 DECORATE BAR HIPS	1	PCS	
36001034	RUBBER FOOT 41.5X10.3X3	4	PCS	
36001216	PVC SHEET 27.8X23.8X1.0 BLACK	2	PCS	
38000187	SCREW 3 X 8 BA NICKEL-PLATE	4	PCS	
38000193	SCREW 3 X 10 BA NICKEL-PLATE	8	PCS	
38000855	SCREW 3 X 6 PWT Φ10 NICKEL-PLATE	8	PCS	
38000866	SCREW 4 X 25 BM NICKEL-PLATE	1	PCS	
38000770	SCREW 4 X 10 PWT Φ10 BLACK	4	PCS	
27000343	SPEAKER CORDS 10M	1	PCS	
28000558	WOOFER SPEAKER 3"4Ω20WΦ55	1	PCS	
40000443	SPEAKER BOX BOARD MCD715 Φ85.5X9.5 BLACK	1	PCS	
41003877	TISSUE BLOW MOLDING 35X23CM	1	PCS	
41005467	SURROUND SPEAKER LABEL(R) MCD715/93	1	PCS	
08-MCD715-06A101	CENTER PARTS ASSY MCD715/93	1	SET	
37-MCD713-02A101	MCD713 SPEAKER BRACKET SILVER	1	PCS	
39-DCD713-07A100	DCD713 CENTER SPEAKER BOX PANEL HIPS	1	PCS	
39-DCD713-08A101	DCD713 SPEAKER BACK CABINET HIPS SILVER	1	PCS	
39-DCD713-03A101	DCD713 SPEAKER BOX BRACKET FRONT PCB	1	PCS	
36001014	RUBBER FOOT Φ12X7.7 60° BLACK	4	PCS	
36001216	PVC SHEET 27.8X23.8X1.0 BLACK	2	PCS	
38000187	SCREW 3 X 8 BA NICKEL-PLATE	4	PCS	
38000196	SCREW 3 X 12 BA NICKEL-PLATE	8	PCS	
38000855	SCREW 3 X 6 PWT Φ10 NICKEL-PLATE	9	PCS	
38000866	SCREW 4 X 25 BM NICKEL-PLATE	1	PCS	
27000341	SPEAKER CORDS 5M	1	PCS	
28000566	SPEAKER 3" 16Ω40W	1	PCS	
40000443	SPEAKER BOX BOARD MCD715 Φ85.5X9.5 BLACK	1	PCS	
41003877	TISSUE BLOW MOLDING 35X23CM	1	PCS	
41005468	CENTER SPEAKER LABEL MCD715/93 40X27	1	PCS	
09-MCD715-05A101	WOOFER SPEAKER BOX ASSY MCD715/93	1	SET	
39-DCD713-05A100	DCD713 WOOFER TOP PANEL HIPS BLACK	1	PCS	
39-DCD713-06A100	DCD713 WOOFER SPEAKER BOX FOOT HIPS	2	PCS	
28000559	WOOFER SPEAKER 6 1/2"4Ω80WΦ100	1	PCS	
39000346	PORT TUBE DJ-213 MCD703 SUB-WOOFER	2	PCS	
40000432	WOODEN BOX MCD713 330X200X186	1	PCS	
41002194	PAPER Φ57.5XΦ52.5X110 MCD703 SUB-WOOFER	1	PCS	

BOM NO.	DESCRIPTION	Q'TY	UNIT	USAGE
41002195	PAPER Φ 52.5X Φ 49.5X60 MCD703 SUB-WOOFER	1	PCS	
38000208	SCREW 4 X 16 BA BLACK	4	PCS	
38000197	SCREW 3 X 14 BA BLACK	4	PCS	
38000477	SCREW 3 X 16 BAH NICKEL-PLATE	6	PCS	
36001223	RUBBER FOOT 10X10X3.5 BLACK 70°	4	PCS	
27000399	SPEAKER CORDS 5M	1	PCS	
41005007	TISSUE BLOW MOLDING 53X27cm	1	PCS	
41005465	WOOFER SPEAKER BOX BACK LABEL MCD715/93	1	PCS	
09-PRC501-17A101	REMOTE CONTROL ASSY PRC501-17	1	SET	
13000184	CARBON FILM RESISTOR 10K 1/8W J	1	PCS	R2
13000209	CARBON FILM RESISTOR 1 1/8W J	1	PCS	R1
14000232	ELECTROLYTIC CAP.2.2u 50V L 5X11	1	PCS	C3
16000046	INFRARED-EMITTING DIODE Φ 5	1	PCS	D1
17000022	TRANSISTOR 8050C	1	PCS	Q2
17000028	TRANSISTOR 8550C	1	PCS	Q1
19000294	IC TM58PR11S18C	1	PCS	U1
35-PRE2-01A1	REMOTE CONTROL PCB PRC501 REM-MCD288	1	PCS	
39-PRC501-01A115	PRC501 REMOTE CONTROL CABINET TOP	1	PCS	
39-PRC502-02A100	PRC502 REMOTE CONTROL CABINET BACK	1	PCS	
39-PRC502-03A100	PRC502 REMOTE BATTERY COVER	1	PCS	
39-PRC502-04A101	PRC502 REMOTE DECORATIVE LOOP SILVER	1	PCS	
39-PRC502-05A100	PRC502 REMOTE FRONT LENS	1	PCS	
41000183	PE POLYBAG 26X7cm	1	PCS	
36000492	BLACK SPONGE 12X6X5 40°	2	PCS	
36001155	CONDUCTIVE RUBBER PRC501	1	PCS	
37000800	IRON BLOCK 35X26.6X5	1	PCS	
37-PRC502-01A100	PRC502 REMOTE SPRING WIRE 3 in 1	1	SET	
41005505	REMOTE CONTROL LABEL PRC500-17 35X7.5	1	PCS	
41003940	REMOTE CONTROL LABEL PH 38X18	1	PCS	
45-PRC501-17A	PRC501-17 SOFTWARE A(V1.0)	1	PCS	